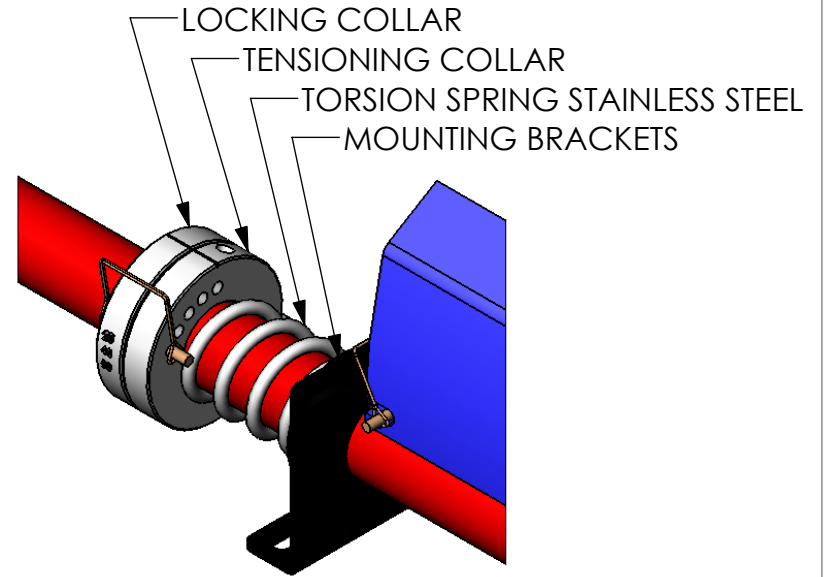
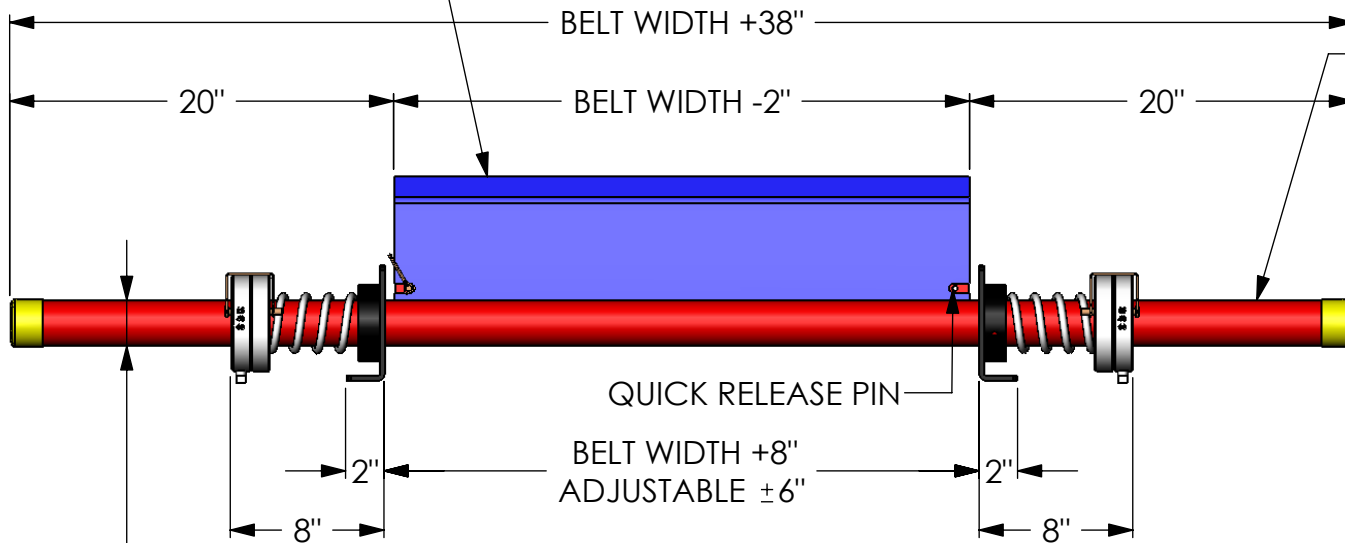


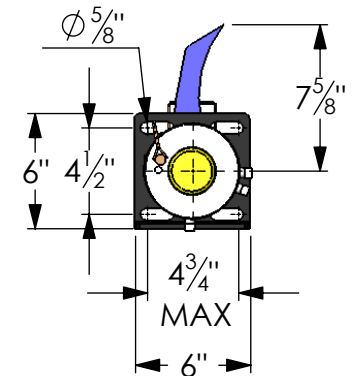
TENSIONER DETAIL



HEAVY DUTY MOLDED URETHANE BLADE
EASY TO REMOVE



NOTE: EXCESS PIPE MAY
BE CUT-OFF AFTER
INSTALLATION



Ø 2³/₈" OD
SCH. 80 PIPE

PROPRIETARY AND CONFIDENTIAL
THE INFORMATION CONTAINED IN THIS
DRAWING IS THE SOLE PROPERTY OF
AMERICAN EAGLE MANUFACTURING. ANY
REPRODUCTION IN PART OR AS A WHOLE
WITHOUT THE WRITTEN PERMISSION OF
AMERICAN EAGLE MANUFACTURING IS
PROHIBITED.

		DIMENSIONS ARE IN INCHES		NAME	DATE
		TOLERANCES:		JWB	05/06/09
		FRACTIONAL ± 1/16"		CHECKED	
		ANGULAR: MACH ± 5° BEND ± 1°		ENG APPR.	
		TWO PLACE DECIMAL ± 0.05"		MFG APPR.	
		THREE PLACE DECIMAL ± 0.030"		Q.A.	
		MATERIAL		COMMENTS:	
		FINISH			
NEXT ASSY	USED ON				
APPLICATION		DO NOT SCALE DRAWING			

American Eagle Manufacturing

TITLE:
**HEAVY-DUTY PRIMARY
BELT CLEANER - WITH
DUAL TENSIONER
18" - 96"**

SIZE A	DWG. NO.	REV.
SCALE: 1:10	WEIGHT:	SHEET 1 OF 1