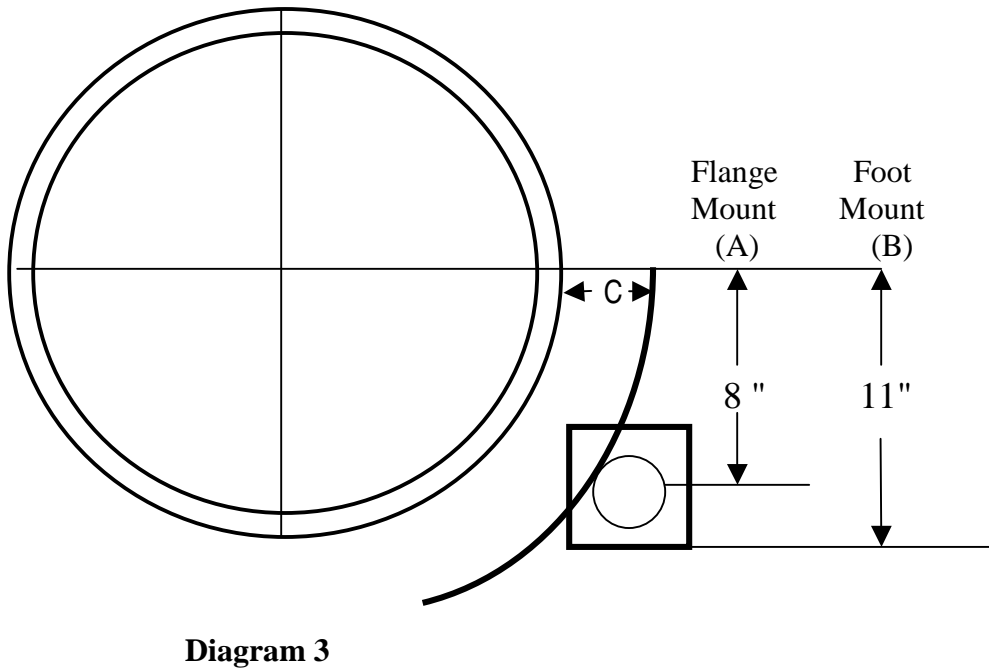
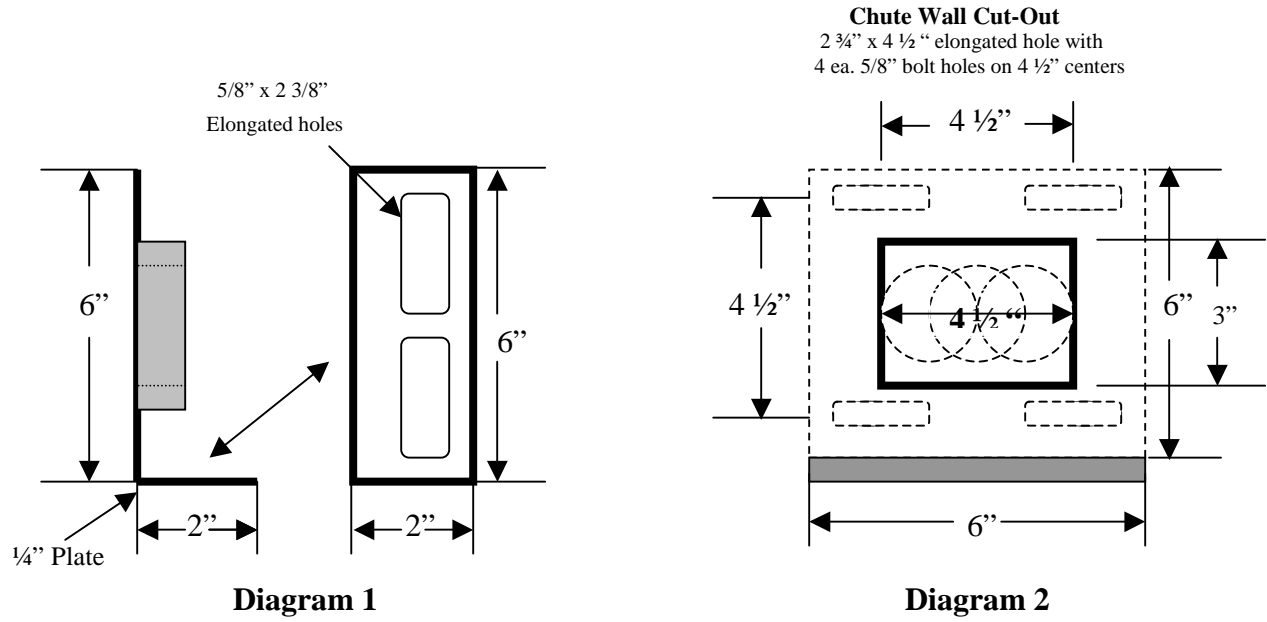


Installation Instructions Eagle Belt Cleaner™



“C” Dimension – Outside of pipe to conveyor belt

Pulley Diameter	“C” Dimension*
10” – 14”	2 1/2”
14 1/2” and up	3”

(* + or - 1/4”)