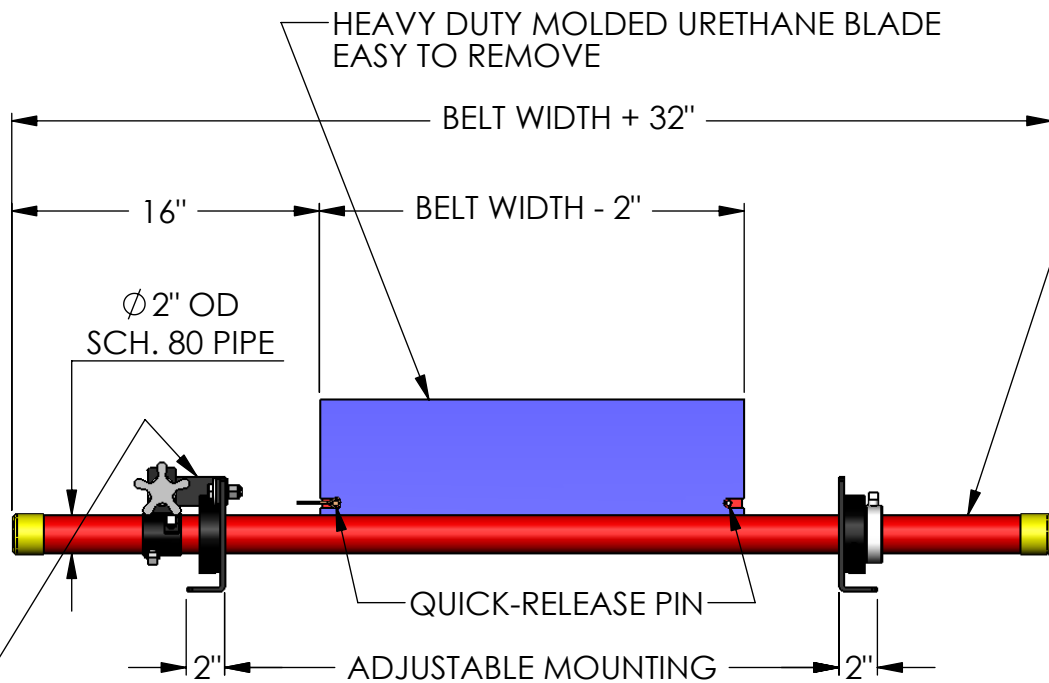
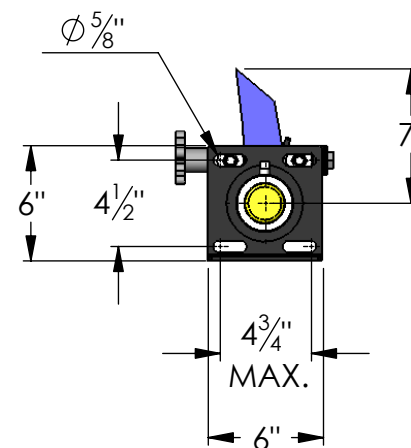


TENSIONER DETAIL



NOTE: EXCESS PIPE MAY BE CUT-OFF AFTER INSTALLATION



NOTE: UNIVERSAL BRACKET CAN BE USED ON LEFT OR RIGHT SIDE

PROPRIETARY AND CONFIDENTIAL
 THE INFORMATION CONTAINED IN THIS DRAWING IS THE SOLE PROPERTY OF AMERICAN EAGLE MANUFACTURING. ANY REPRODUCTION IN PART OR AS A WHOLE WITHOUT THE WRITTEN PERMISSION OF AMERICAN EAGLE MANUFACTURING IS PROHIBITED.

		DIMENSIONS ARE IN INCHES TOLERANCES: FRACTIONAL ±1/16" ANGULAR: MACH ±5° BEND ±1° TWO PLACE DECIMAL ±0.05" THREE PLACE DECIMAL ±0.030"		NAME JWB	DATE 08/01/08	American Eagle Manufacturing
		MATERIAL		CHECKED		
		FINISH		ENG APPR.		SIZE A
NEXT ASSY	USED ON			MFG APPR.		DWG. NO.
APPLICATION		DO NOT SCALE DRAWING		Q.A.		REV.
				COMMENTS:		SCALE:1:10
						WEIGHT:
						SHEET 1 OF 1