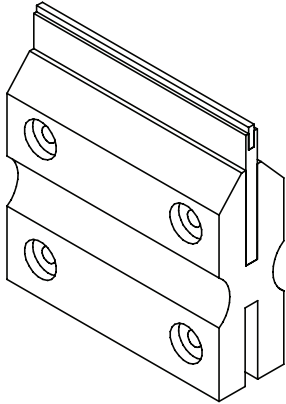


# Secondary Belt Cleaner Blades

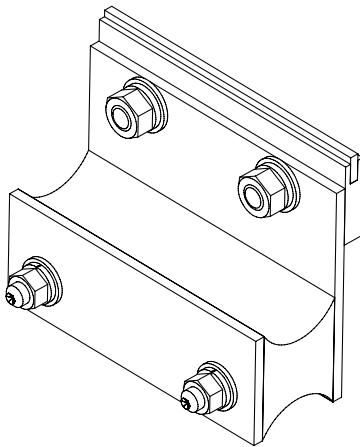
## Segmental Replacement Blades



### ORDERING INFORMATION

Blade Width	Product Description	Blade Eagle	Part Number
6"	Complete 6" Segment Blade	Tungsten Carbide	E7-U-CTB
6"	Complete 6" Segment Blade	AR300	E7-U-ARB
6"	Complete 6" Segment Blade	Urethane	E7-U-M
6"	Holder Only	N/A	E7-U
6"	Blade Only	Tungsten Carbide	E7-CTB
6"	Blade Only	AR300	E7-ARB

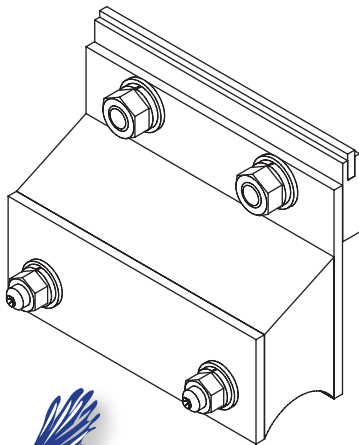
NOTE: YOU WILL NEED TO TAKE THE BELT WIDTH AND DIVIDE BY 6 TO GET THE QUANTITY NEEDED TO REPLACE BELT CLEANER BLADE.



### ORDERING INFORMATION

Blade Width	Product Description	Blade Eagle	Part Number
6"	Complete 6" Segment Blade	Tungsten Carbide	E7A1-U-CTB
6"	Complete 6" Segment Blade	AR300	E7A1-U-ARB
6"	Holder Only	N/A	E7A1-U
6"	Blade Only	Tungsten Carbide	E7A-CTB
6"	Blade Only	AR300	E7A-ARB

NOTE: YOU WILL NEED TO TAKE THE BELT WIDTH AND DIVIDE BY 6 TO GET THE QUANTITY NEEDED TO REPLACE BELT CLEANER BLADE.



### ORDERING INFORMATION

Blade Width	Product Description	Blade Eagle	Part Number
6"	Complete 6" Segment Blade	Tungsten Carbide	E7A2-U-CTB
6"	Complete 6" Segment Blade	AR300	E7A2-U-ARB
6"	Holder Only	N/A	E7A2-U
6"	Blade Only	Tungsten Carbide	E7A-CTB
6"	Blade Only	AR300	E7A-ARB

NOTE: YOU WILL NEED TO TAKE THE BELT WIDTH AND DIVIDE BY 6 TO GET THE QUANTITY NEEDED TO REPLACE BELT CLEANER BLADE.



[www.americaneaglemanufacturing.com](http://www.americaneaglemanufacturing.com)  
 1-866-713-8985 fax (252) 633-5487



CAT-SSB-RV0-1013