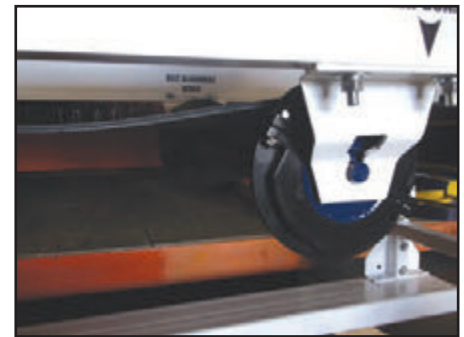




EAGLE ALIGNMENT DISKS

Eagle Alignment Disks are designed to protect a mistracking belt from rubbing against conveyor frame work. The belt is held between the alignment disks protecting it from any side damage. The belt at worst case will be forced up the side of the disk. Since the disks are always moving and not stationary the belt moves with the disk instead of rubbing against roller brackets. This will extend the life of your belt and help eliminate side tear and premature belt failures.



Product is best suited for lightweight belts that are no more than 1/2" thick and 42" wide.

Features and Benefits

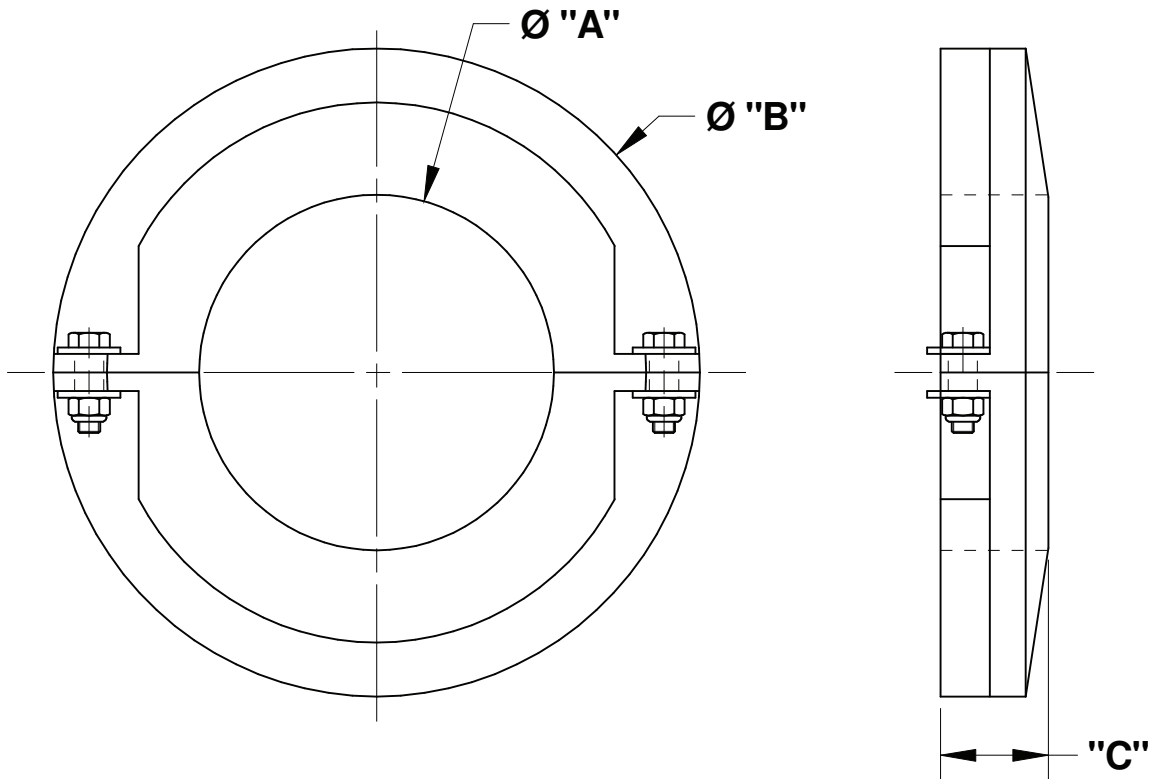
- ✦ Composite molded construction.
- ✦ Easily mounts to existing rollers.
- ✦ No maintenance necessary.
- ✦ Works with reversing belts.
- ✦ Disks are available for 4, 4-1/2, 5 and 6" Rollers
- ✦ Disk O.D. is available in 9" and 12"
- ✦ We recommend 9" for troughing rollers, installing them right after load zone and right before head pulley.
- ✦ We recommend 9" or 12" on return idler rollers, installing them near tail pulley and head pulley.

(866) 713-8985

www.americaneaglemanufacturing.com

fax (252) 633-5487

Eagle Alignment Disks



Idler O.D.	Eagle Alignment Disks			
	All Dimensions Are In Inches			
	"A"	"B"	"C"	Item Number
4	4	9	1-1/2	EAD04090
4	4	12	1-1/2	EAD04012
4-1/2	4-1/2	9	1-1/2	EAD45090
4-1/2	4-1/2	12	1-1/2	EAD45012
5	5	9	1-1/2	EAD05090
5	5	12	1-1/2	EAD05012
6	6	9	1-1/2	EAD06090
6	6	12	1-1/2	EAD06012

NOTE: ALL HARDWARE INCLUDED



www.americaneaglemanufacturing.com
1-866-713-8985 fax (252) 633-5487



CAT-EAD-RV1-0214