



MECT5HP Series

Primary Belt Cleaner

Cleaners 18-72" Belt Width
Standard Blades -2 & -8 Belt Width

Blade
Height
4 1/2"



2" Schedule 80 Mounting Tube
Powder Coated

**AVAILABLE IN ALL
STAINLESS STEEL**

**EASY TO SET AND
STAYS SET**

Patent Number 8,485,344 B1

Features and Benefits

UNIVERSAL MOUNTING BRACKET

- ✦ Elongated holes allow for easy alignment of installation.
- ✦ Enclosed tensioner housing eliminates corrosion and build-up between spring and mounting tube. Allows constant blade pressure to belt.
- ✦ Set screw that allows pre-tensioning of cleaner.

Ev-R-wear™ Blade

Our special formulated urethane with additives has been tested and proven to last longer than any other blade on the market.

- ✦ Premium urethane
- ✦ Additive for lubricity (non-stick)
- ✦ Additive for high abrasion

"With over 35 years molding experience."

Note: After choosing proper belt cleaner size, please read installation manual for installation checklist to confirm any additional items that may be needed to install belt cleaner on conveyor.

Designed with your maintenance personnel's time in mind!

www.americaneaglemanufacturing.com

866-713-8985

CAT11-MECT5HP

MECT5HP Series

Primary Belt Cleaner

Specifications and Guidelines

Belt Speed

Max 800 FPM (5m/sec)

Temperature Rating

-30°F to 212°F (-35°C to 100°C)

Belt Widths Available

18" to 72" (450 to 1800 mm)

Pulley Diameter

8" to 16" (200 to 400 mm)

Tensioner Type

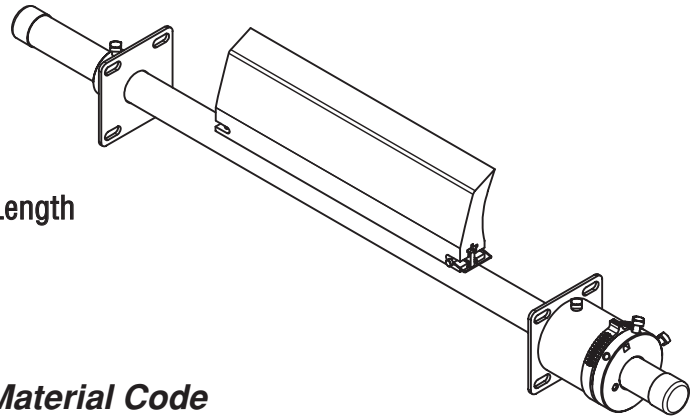
Eagle Torsion System

Blade Height

4-1/2"

Overall Mounting Tube Length

Belt width +40" (1016mm)
(Custom lengths upon request)



Blade Material Code

- M** - Ev-R-wear
- U** - Standard
- C** - Chemical
- H** - High Heat (Max 300°F/150°C)
- W** - Food Grade (Pure White)

Material meets FDA criteria for the following:
CFR21.177.1680

Ordering Part Number

NOMENCLATURE

Cleaner Series

MECT5HP

CS

M

36

For All Stainless Steel Construction add SS to cleaner series
MECT5HPSS

Tensioner Quantity

CS - Single Tensioner
Recommend 60" & below

CD - Double Tensioner
Recommend 72" & above

Belt Width

18 48
24 54
30 60
36 72
42

Our blades come -2 belt width unless otherwise specified



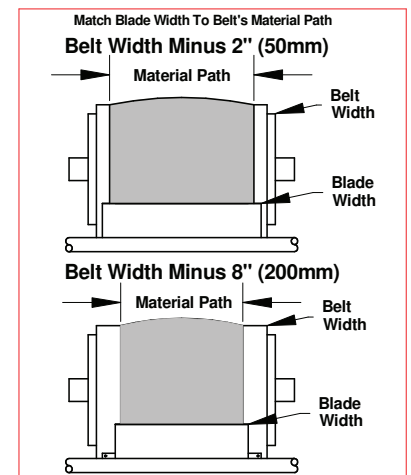
Alternative

-8

Use a -8 blade when material path is much less than the belt width. This will allow the blade to wear evenly and last longer.

Blade Width & Replacement Numbers

Belt Width		Belt Width -2" (50mm)			Belt Width -8" (200mm)		
in.	mm.	in.	mm.	Part No.	in.	mm.	Part No.
18	457.2	16	406.4	E5A-02M16	10	254	E5A-02M10
24	609.6	22	558.8	E5A-02M22	16	406.4	E5A-02M16
30	762	28	711.2	E5A-02M28	22	558.8	E5A-02M22
36	914.4	34	863.6	E5A-02M34	28	711.2	E5A-02M28
42	1066.8	40	1016	E5A-02M40	34	863.6	E5A-02M34
48	1219.2	46	1168.4	E5A-02M46	40	1016	E5A-02M40
54	1371.6	52	1320.8	E5A-02M52	46	1168.4	E5A-02M46
60	1524	58	1473.2	E5A-02M58	52	1320.8	E5A-02M52
72	1828.8	70	1778	E5A-02M70	64	1625.6	E5A-02M64



www.americaneaglemanufacturing.com

866-713-8985 fax (252) 633-5487



CAT11-MECT5HP