



# ME5HP Series

## Primary Belt Cleaner

Cleaners 18-72" Belt Width  
Standard Blades -2 & -8 Belt Width

Blade  
Height  
**4 1/2"**

### EAGLE TORSION SYSTEM

This revolutionary design is the simplest and most accurate tensioning system on the market. Only 4 components make up the Eagle Torsion System.

- ✦ Universal torsion mounting bracket
- ✦ Stainless steel spring
- ✦ Eagle torsion ring
- ✦ Tension indicator ring

**EASY TO SET AND  
STAYS SET**

2" Schedule 80 Mounting Tube  
Powder Coated



**AVAILABLE IN ALL  
STAINLESS STEEL**

Patent Number 8,485,344 B1

### Features and Benefits

#### UNIVERSAL MOUNTING BRACKET

- ✦ Elongated holes allow for easy alignment of installation.
- ✦ Patented tensioning system allows constant blade pressure to belt.
- ✦ Set screw that allows pre-tensioning of cleaner.

### Ev-R-wear™ Blade

Our special formulated urethane with additives has been tested and proven to last longer than any other blade on the market.

- ✦ Premium urethane
- ✦ Additive for lubricity (non-stick)
- ✦ Additive for high abrasion

"With over 35 years molding experience."

Note: After choosing proper belt cleaner size, please read installation manual for installation checklist to confirm any additional items that may be needed to install belt cleaner on conveyor.

Designed with your maintenance personnel's time in mind!

[www.americaneaglemanufacturing.com](http://www.americaneaglemanufacturing.com)

866-713-8985

# ME5HP Series

## Primary Belt Cleaner

### Specifications and Guidelines

#### Belt Speed

Max 800 FPM (5m/sec)

#### Temperature Rating

-30°F to 212°F (-35°C to 100°C)

#### Belt Widths Available

18" to 72" (450 to 1800 mm)

#### Pulley Diameter

8" to 16" (200 to 400 mm)

#### Tensioner Type

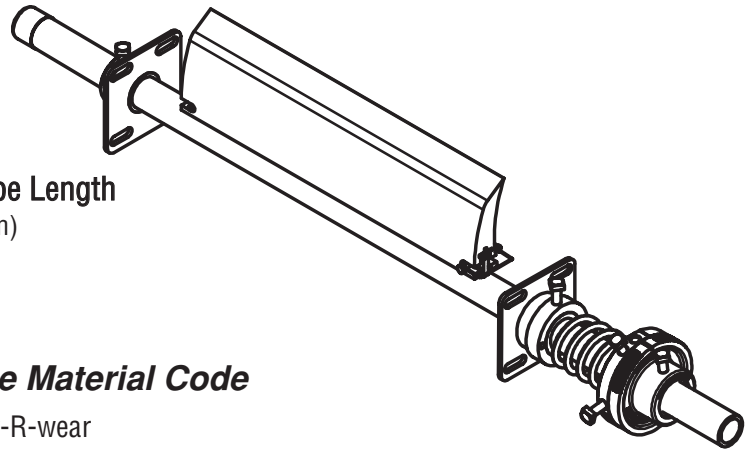
Eagle Torsion System

#### Blade Height

4-1/2"

#### Overall Mounting Tube Length

Belt width +40" (1016mm)  
(Custom lengths upon request)



#### Blade Material Code

**M** - Ev-R-wear

**U** - Standard

**C** - Chemical

**H** - High Heat (Max 240°F/115°C)

**W** - Food Grade (Pure White)

Material meets FDA criteria for the following:  
CFR21.177.1680

### Ordering Part Number

#### NOMENCLATURE

#### Cleaner Series

**ME5HP**

**CS**

**M**

**36**

For All Stainless Steel  
Construction add **SS**  
to cleaner series

**ME5HPSS**

#### Tensioner Quantity

**CS** - Single Tensioner

Recommend 60" & below

**CD** - Double Tensioner

Recommend 72" & above

#### Belt Width

18 48

24 54

30 60

36 72

42

Our blades come  
-2 belt width unless  
otherwise specified



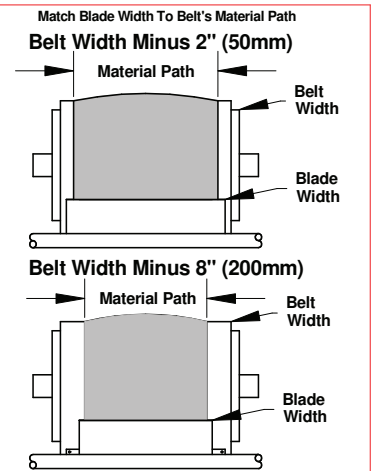
Alternative

**-8**

Use a -8 blade when material  
path is much less than the belt  
width. This will allow the blade  
to wear evenly and last longer.

### Blade Width & Replacement Numbers

Belt Width		Belt Width -2" (50mm)			Belt Width -8" (200mm)		
in.	mm.	in.	mm.	Part No.	in.	mm.	Part No.
18	457.2	16	406.4	E5A-02M16	10	254	E5A-02M10
24	609.6	22	558.8	E5A-02M22	16	406.4	E5A-02M16
30	762	28	711.2	E5A-02M28	22	558.8	E5A-02M22
36	914.4	34	863.6	E5A-02M34	28	711.2	E5A-02M28
42	1066.8	40	1016	E5A-02M40	34	863.6	E5A-02M34
48	1219.2	46	1168.4	E5A-02M46	40	1016	E5A-02M40
54	1371.6	52	1320.8	E5A-02M52	46	1168.4	E5A-02M46
60	1524	58	1473.2	E5A-02M58	52	1320.8	E5A-02M52
72	1828.8	70	1778	E5A-02M70	64	1625.6	E5A-02M64



[www.americaneaglemanufacturing.com](http://www.americaneaglemanufacturing.com)

866-713-8985 fax (252) 633-5487



CAT11-ME5HP