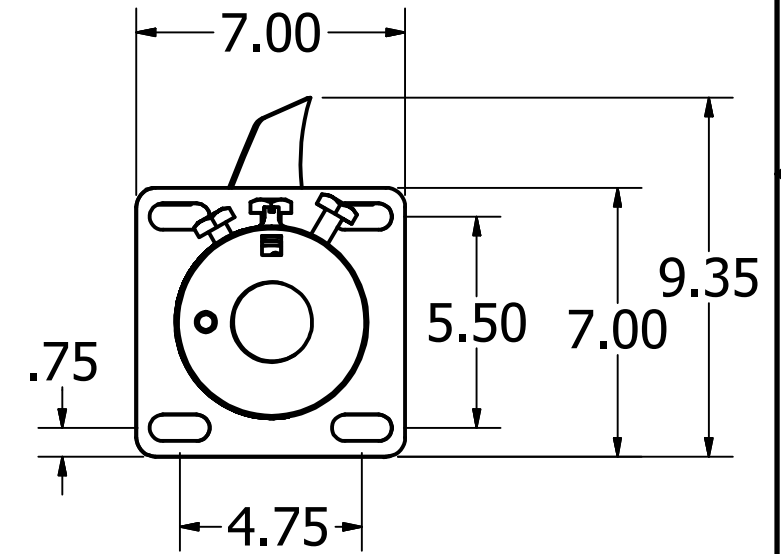
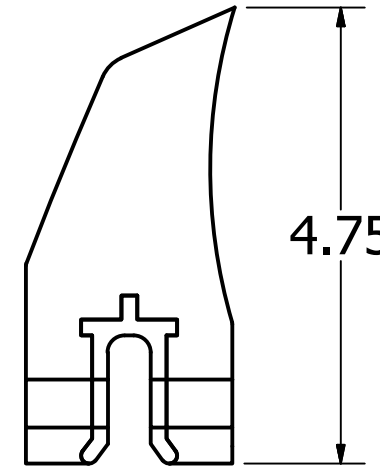
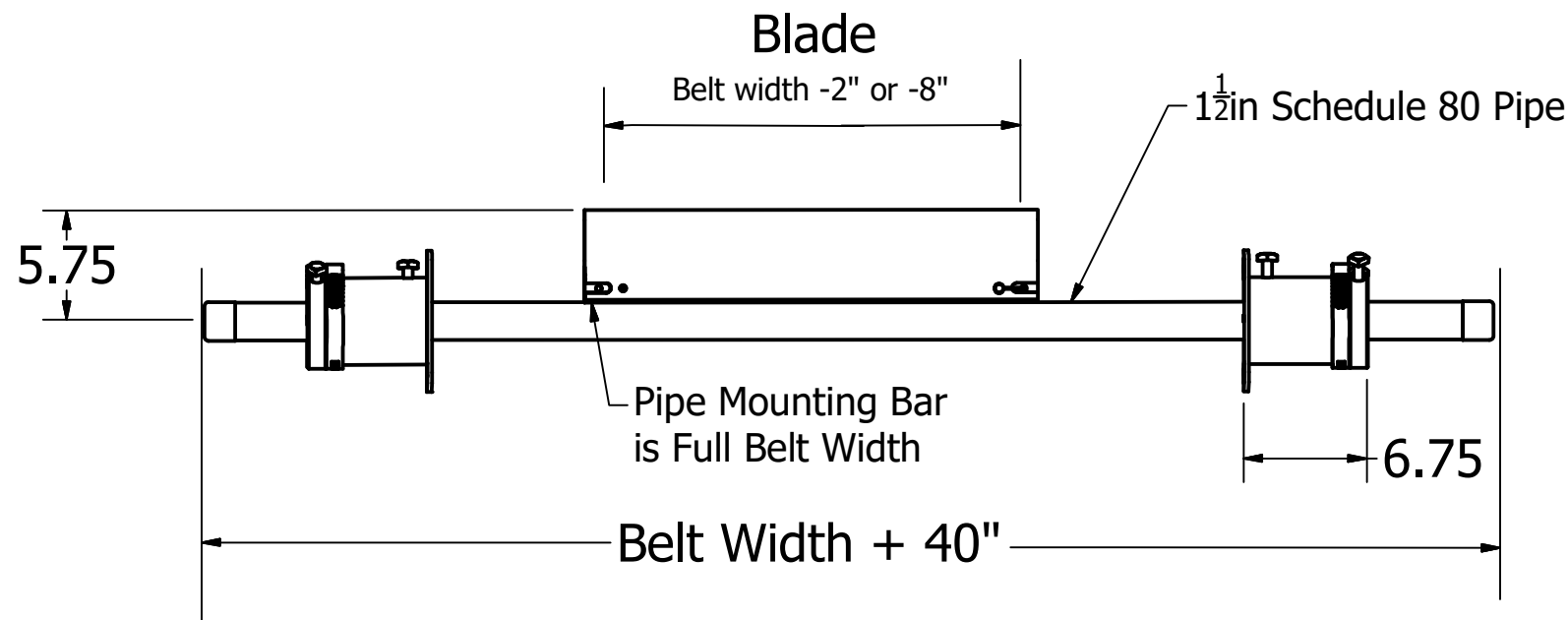


Pipe Specifications

Belt Width	Part Number	Pipe Width
24"	E5PB24	64"
30"	E5PB30	70"
36"	E5PB36	76"
42"	E5PB42	82"
48"	E5PB48	88"
54"	E5PB54	94"
60"	E5PB60	100"
72"	E5PB72	112"

Blade Specifications

Belt Width	Blue Ev-R-Wear High Performance		Orange Standard Economy Blade		Green Chemical Resistant		Red High Heat (Max 275 Deg F)		White FDA Compliant	
	2" Belt Width	8" Belt Width	2" Belt Width	8" Belt Width	2" Belt Width	8" Belt Width	2" Belt Width	8" Belt Width	2" Belt Width	8" Belt Width
24"	E5A-02M22	E5A-02M16	E5A-02U22	E5A-02U16	E5A-02C22	E5A-02C16	E5A-02H22	E5A-02H16	E5A-02W22	E5A-02W16
30"	E5A-02M28	E5A-02M22	E5A-02U28	E5A-02U22	E5A-02C28	E5A-02C22	E5A-02H28	E5A-02H22	E5A-02W28	E5A-02W22
36"	E5A-02M34	E5A-02M28	E5A-02U34	E5A-02U28	E5A-02C34	E5A-02C28	E5A-02H34	E5A-02H28	E5A-02W34	E5A-02W28
42"	E5A-02M40	E5A-02M34	E5A-02U40	E5A-02U34	E5A-02C40	E5A-02C34	E5A-02H40	E5A-02H34	E5A-02W40	E5A-02W34
48"	E5A-02M46	E5A-02M40	E5A-02U46	E5A-02U40	E5A-02C46	E5A-02C40	E5A-02H46	E5A-02H40	E5A-02W46	E5A-02W40
54"	E5A-02M52	E5A-02M46	E5A-02U52	E5A-02U46	E5A-02C52	E5A-02C46	E5A-02H52	E5A-02H46	E5A-02W52	E5A-02W46
60"	E5A-02M58	E5A-02M52	E5A-02U58	E5A-02U52	E5A-02C58	E5A-02C52	E5A-02H58	E5A-02H52	E5A-02W58	E5A-02W52
72"	E5A-02M70	E5A-02M64	E5A-02U70	E5A-02U64	E5A-02C70	E5A-02C64	E5A-02H70	E5A-02H64	E5A-02W70	E5A-02W64



Standard Tolerances

Fractions -	+/- 1/16"
.XXX	+/- .015
.XX	+/- .030

Third Angle Projection

Interpret Drawing per ANSI Y145

This drawing in design and detail is the property of American Eagle Manufacturing, LLC. It is returnable upon request and must not be reproduced or the information contained transmitted to any unauthorized person or organization without written consent from American Eagle Manufacturing, LLC. It is to be used only in connection with our work as authorized by us. All rights of design and invention are reserved.

DRAWN	aemdrafting	Oct 31 2017
CHECKED	CS	
QA		
MFG	JD	
APPROVED	DKL	

1211 Aviation Drive
New Bern, NC 28562
Ph: 252-633-0603 Fax: 252-633-5487
www.AmericanEagleManufacturing.com

TITLE: **MECT5HP Dual Tens Eng Dwg**

SIZE	B	DWG NO	REV
SCALE	.2	SHEET 1 OF 1	