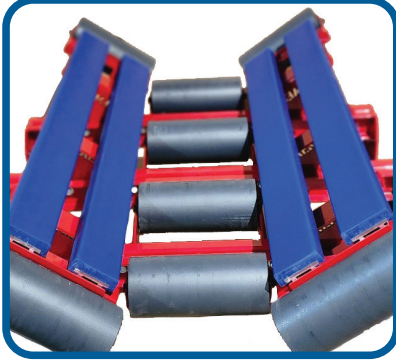
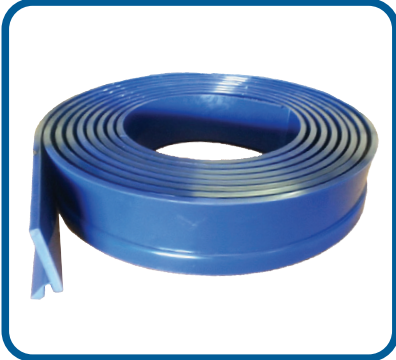


IT'S THE YEAR OF
INNOVATION
AT AMERICAN EAGLE
MANUFACTURING



LOAD ZONE SYSTEMS AND SEALING EDGE TECHNOLOGY



SEALING EDGE TECHNOLOGY

SNAPFLEX

Our SnapFlex is designed to contain product consistently without adding pressure to your belt. Because of the way it seals without force, even if your belt starts walking, there is no worry that your skirting will walk off the belt. When installed with the custom channel options, there will be no need to adjust for the life of the skirting.

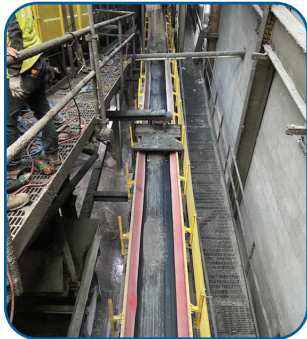
SnapFlex is the no-worry skirtboard.

- Chute too wide? *No problem.*
- Belt walking excessively? *No problem.*
- Limited chute space? *No problem.*
- No more clamps.
- No more adjustment.

No more worries.



SNAP FLEX CONTAINMENT



Some of our distributors don't think outside the box. They take away the box entirely. Using AEM SnapFlex channel designs specific to their customers' applications, our SnapFlex creates a superior seal even on the tail.

IT EVEN IMPRESSED US!

Ask us about your application!



8" SNAP FLEX

ITEM NUMBER	HEIGHT	LENGTH	WEIGHT
ESF-8-500-10	8"	10'	23.33
ESF-8-500-25	8"	25'	58.33
ESF-8-500-50	8"	50'	116.67

10" SNAP FLEX

ITEM NUMBER	HEIGHT	LENGTH	WEIGHT
ESF-10-500-10	10"	10'	28.33
ESF-10-500-25	10"	25'	70.83
ESF-10-500-50	10"	50'	141.67

12" SNAP FLEX

ITEM NUMBER	HEIGHT	LENGTH	WEIGHT
ESF-12-500-10	12"	10'	33.33
ESF-12-500-25	12"	25'	83.33
ESF-12-500-50	12"	50'	166.67

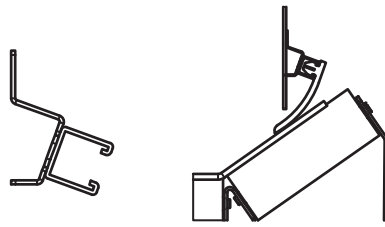
SEALING EDGE TECHNOLOGY

SNAPFLEX

CHANNEL OPTIONS

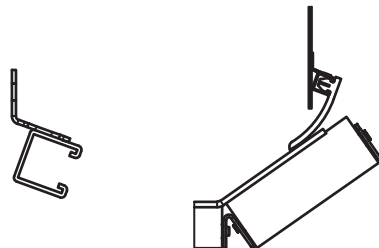
PART NUMBER	LENGTH
SFC20-02	60"

Recommended for most "outside wall" applications.



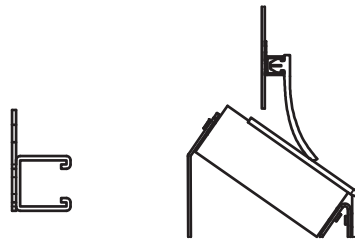
PART NUMBER	LENGTH
SFC20-01	60"

Recommended for limited space applications only.

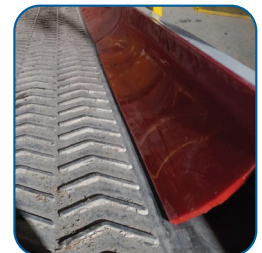


PART NUMBER	LENGTH
SFC90-01	60"

Recommended for "inside chute wall" applications.



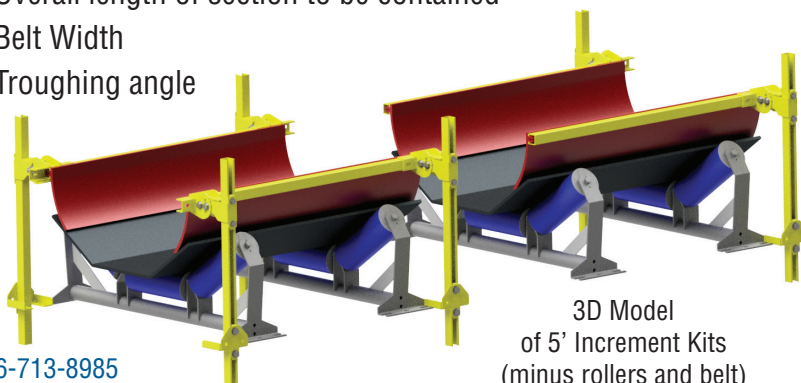
PART NUMBER	LENGTH
SFC90-02	60"



NON-CHUTE WALLS/NO PROBLEM

Required information for quote:

1. Overall length of section to be contained
2. Belt Width
3. Troughing angle



3D Model of 5' Increment Kits (minus rollers and belt)

1-866-713-8985



American Eagle Manufacturing - 3

SEALING EDGE TECHNOLOGY

CONTAINMENT VS DUST CONTROL

Note: The AgFlex product should be used for containment of material and not as dust control. If it's dust control you need, our BlueFlex is a 58A urethane, which is friendly to the belt and can have slight pressure applied without damage to your belt. AgFlex 70A Durometer is engineered for containment and, due to the harder durometer, there should be no contact or pressure applied to the belt. AgFlex Skirting should be installed to be about an 1/8 inch above the belt.



AG FLEX FOR CONTAINMENT

In the aggregate industry and other large-lump-size material industries, containment has always been an issue.

Unlike our flexible BlueFlex dust sealing material the AgFlex is designed for containment. Applications with large gaps between wall and belt cause unwelcome load pressure on soft skirting, resulting in premature failure and more downtime. AgFlex, with its harder 70A Durometer and anti-abrasion characteristics, will contain large lump and bulk product better and last much longer than traditional rubber.

Standard sizes are highlighted and normally on the shelf for immediate shipping.

All rolls are standard 50' lengths.

SIZE	ITEM NUMBER	WEIGHT
4" x 1/2	EAf-4-500	57
4" x 3/4	EAf-4-750	86
4" x 1	EAf-4-100	114
5" x 1/2	EAf-5-500	72
5" x 3/4	EAf-5-750	108
5" x 1"	EAf-5-100	144
6" x 1/2	EAf-6-500	88
6" x 3/4	EAf-6-750	112
6" x 1"	EAf-6-100	176
8" x 1/2	EAf-8-500	115
8" x 3/4	EAf-8-750	165
8" x 1"	EAf-8-100	230
10" x 1/2	EAf-10-500	143
10" x 3/4	EAf-10-750	216
10" x 1"	EAf-10-100	286
12" x 1/2	EAf-12-500	176
12" x 3/4	EAf-12-750	224
12" x 1"	EAf-12-100	352



NOTE: ALL NON-STANDARD SIZES ARE NOT RETURNABLE

SEALING EDGE TECHNOLOGY

DUST CONTROL

Our BLUE-FLEX SkirtBoard is the solution for dust containment in bulk transfer points. Designed to have low coefficient friction that reduces drag, our skirtboard combines a high tensile strength resulting in longer wear and less tearing compared to rubber skirtboard. The benefits extend beyond dust containment to less maintenance cost, less downtime for replacement and less overall belting and motor fatigue.

BLUE-FLEX™

WHITE-FLEX™



**FOOD GRADE
SKIRT BOARD**

SIZE	ITEM NUMBER	WEIGHT
4" x 1/4	EBF-4-250	29
4" x 3/8	EBF-4-375	43
4" x 1/2	EBF-4-500	57
4" x 3/4	EBF-4-750	86
4" x 1"	EBF-4-100	114
5" x 1/4	EBF-5-250	36
5" x 3/8	EBF-5-375	54
5" x 1/2	EBF-5-500	72
5" x 3/4	EBF-5-750	108
5" x 1"	EBF-5-100	144
6" x 1/4	EBF-6-250	45
6" x 3/8	EBF-6-375	55
6" x 1/2	EBF-6-500	88
6" x 3/4	EBF-6-750	112
6" x 1"	EBF-6-100	176
8" x 1/4	EBF-8-250	60
8" x 3/8	EBF-8-375	85
8" x 1/2	EBF-8-500	115
8" x 3/4	EBF-8-750	165
8" x 1"	EBF-8-100	230
10" x 1/4	EBF-10-250	72
10" x 3/8	EBF-10-375	108
10" x 1/2	EBF-10-500	143
10" x 3/4	EBF-10-750	216
10" x 1"	EBF-10-100	286

Standard sizes are highlighted and normally on the shelf for immediate shipping.

All rolls are standard 50' lengths.

STANDARD TOLERANCES ON ALL SKIRTBOARD

+/- 1/16" width
+/- 1/8" thickness
-0/+1" length

Due to open cast process

SIZE	ITEM NUMBER	WEIGHT
4" x 1/4	EWF-4-250	29
4" x 3/8	EWF-4-375	43
4" x 1/2	EWF-4-500	57
4" x 3/4	EWF-4-750	86
4" x 1"	EWF-4-100	114
5" x 1/4	EWF-5-250	36
5" x 3/8	EWF-5-375	54
5" x 1/2	EWF-5-500	72
5" x 3/4	EWF-5-750	108
5" x 1"	EWF-5-100	144
6" x 1/4	EWF-6-250	45
6" x 3/8	EWF-6-375	55
6" x 1/2	EWF-6-500	88
6" x 3/4	EWF-6-750	112
6" x 1"	EWF-6-100	176
8" x 1/4	EWF-8-250	60
8" x 3/8	EWF-8-375	85
8" x 1/2	EWF-8-500	115
8" x 3/4	EWF-8-750	165
8" x 1"	EWF-8-100	230
10" x 1/4	EWF-10-250	72
10" x 3/8	EWF-10-375	108
10" x 1/2	EWF-10-500	143
10" x 3/4	EWF-10-750	216
10" x 1"	EWF-10-100	286

SEALING EDGE TECHNOLOGY

Delta-Flex versus its competitors:
This contest is already won.



Our Delta Flex dual sealing skirt board is the ultimate solution for dust control and bulk product containment at all transfer points.

The main body contains your bulk material in the transfer point while the outer seal manages dust control. Because our material compound is more flexible, it will conform to your belt profile, even if there is no support or sagging between rollers.

Our material is designed to have low coefficient friction that reduces drag. Delta Flex material combines high tensile strength resulting in less wear and less tearing as compared to rubber skirt board.



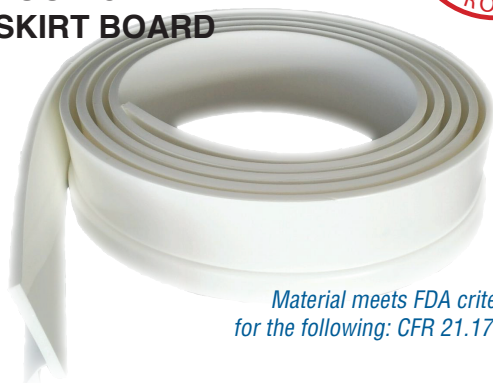
DUROMETER
72A



URETHANE BLUE

ITEM NUMBER	HEIGHT	LENGTH	WEIGHT
DF3-500	3"	50'	47
DF4-500	4"	50'	66
DF5-500	5"	50'	82
DF6-500	6"	50'	94

**FOOD GRADE
SKIRT BOARD**



DUROMETER
72A

*Material meets FDA criteria
for the following: CFR 21.177.1680*

URETHANE WHITE

ITEM NUMBER	HEIGHT	LENGTH	WEIGHT
DFW3-500	3"	50'	47
DFW4-500	4"	50'	66
DFW5-500	5"	50'	82
DFW6-500	6"	50'	94



DUROMETER
70A

EPDM

ITEM NUMBER	HEIGHT	LENGTH	WEIGHT
DPE5-500	5"	50'	83

RUBBER SKIRTING

High heat and chemical compounds



DUROMETER
70A

EPDM

SIZE	ITEM NUMBER	WEIGHT
6 x 1/2 x 50'	EBFE-6-500	88
6 x 3/4 x 50'	EBFE-6-750	112
8 x 1/2 x 50'	EBFE-8-500	115
8 x 3/4 x 50'	EBFE-8-750	165

Specialty formulated rubber compounds



DUROMETER
45A

ORANGE

SIZE	ITEM NUMBER	WEIGHT
6 x 1/2 x 50'	EOFR-6-500	88
6 x 3/4 x 50'	EOFR-6-750	112
8 x 1/2 x 50'	EOFR-8-500	115
8 x 3/4 x 50'	EOFR-8-750	165

DUROMETER
40A

RED

SIZE	ITEM NUMBER	WEIGHT
6 x 1/2 x 50'	ERFR-6-500	88
6 x 3/4 x 50'	ERFR-6-750	112
8 x 1/2 x 50'	ERFR-8-50	115
8 x 3/4 x 50'	ERFR-8-750	165

Profiled Rubber **M-Flex®**



DUROMETER
65A

ITEM NUMBER	HEIGHT	LENGTH	WEIGHT
MFR8-100	8"	50	175

SKIRT BOARD RATING

	Durometer	Abrasion Resistance	Cut Strength	Sealing	Containment	MSHA Approved	FDA Approvable	Heat Resistance @ 180F	Chemical Resistance
Blue-Flex	57A	Excellent	Good	Excellent	Good	Yes	Yes	Fair	Fair
Ag-Flex	70A	Excellent	Excellent	Good	Excellent	Yes	Yes	Fair	Good
Snap-Flex	70A	Excellent	Excellent	Excellent	Excellent	Yes	Yes	Fair	Good
White-Flex	57A	Excellent	Good	Excellent	Good	Yes	Yes	Fair	Fair
Delta-Flex	70A	Excellent	Excellent	Excellent	Excellent	Yes	Yes	Fair	Good
Delta-Flex Food Grade	70A	Excellent	Excellent	Excellent	Excellent	Yes	Yes	Fair	Good
Delta-Flex EPDM	70A	Good	Excellent	Excellent	Excellent	No	No	Excellent	Excellent
Orange Rubber	45A	Fair	Poor	Good	Good	No	No	Fair	Good
Red Rubber	40A	Fair	Poor	Good	Good	No	No	Fair	Good

AEM uses only the highest quality urethanes for our Sealing Edge Technology products. These urethane systems are designed to deliver the best physical properties and wear characteristics available, while still keeping an eye on your bottom line. For places where urethane just won't do (and yes, there are a few) we also offer our Delta Flex in EPDM and standard flat skirting.

MSHA IC-379/01 Approval – Report Summary

This construction and the information provided meet the requirements of the Standard Application Procedures for Acceptance of Flame-Resistant Solid Products Taken Into Mines.

Date: September 9, 2021	PAR: 116810
Company: American Eagle Manufacturing, LLC	
Product: BlueFlex, AgFlex, SnapFlex, Eagle Armor Sheet material, AEM replacement blades, DeltaFlex, Adjustable urethane liner	
Usage: Belt Skirt, Chute liner, belt wiper	
Sample/Style: 58A: ¼ inch, one inch; 85A: ¼ inch, one inch	Color: Blue
<i>Procedure:</i> After conditioning, samples exposed to 60 seconds of ignition by a Bunsen burner flame in still air, followed by monitoring for pass/fail criteria under 300 feet/min airflow. For detailed procedure, please reference 30 CFR 18.65 or Approval and Certification Center document ASTP 5007.	
<i>Flame:</i> 3 inches, blue with inner cone	
<i>Air velocity:</i> 300 feet/min. (tolerance: +/- 10%)	
<i>Time to reach velocities:</i> Averages: 8.2s 8.2s 8.2s 8.2s (4 sample sets) (Tolerance +/- 1s)	
Test Results:	
Flame Time (s):	Afterglow (s) (Includes flame time):
0	0
0	0
0	0
0	0
Average: 0	0
<i>Criteria:</i> 60 s maximum	180 s maximum
<i>Pass/Fail:</i> Pass	
Melts.Fallen material burns for [Range: 13-17 s], [Range: 13-19 s], [Range: 6-24 s], [Range: 5-25 s]	

Based on Data Sheet 2, PAR: 116810
ASAP 5001, ASTP 5007,

30 CFR 18.65, ASTM D378-Section 15
Documentation available upon request

OMEGA SEAL AND CLAMP



Taking our Sealing Edge Technology™ to a new level, our newly-patented Omega Seal and Clamp will revolutionize your load zone.

**PATENT NUMBER
9938087**

The first and only of its kind: A seal specifically designed to seal the tail end of a load zone. The only profiled seal that completely lays to match the profile of your belt. It also creates a sealed gap area that does not allow the carry back to migrate outside of the load zone.

Paired with our Sealed Edge Technology, the Omega Seal and Clamp has the potential to completely revitalize your load zone.

HOW TO CHOOSE THE RIGHT SIZE:

When Choosing the clamp size always make sure you choose the size that best fits the Chute width. If your chute is in between the standard sizes always default to the next lower size.

Then choose the troughing degree. This choice is not based on the troughing rollers on the conveyor. It is based on the transition into the chute. Most load zones have 35 degree troughing rollers but depending on the transition of the belt from the tail pulley into the chute it may be best to use a 20 degree.

If you are unsure please ask for our worksheet and if completed we can choose the best size for your chute.



**PATENT NUMBER
9938087**

20 DEGREE

ITEM NUMBER	CHUTE WIDTH	WEIGHT
OSC2014	14"	20
OSC2016	16"	22
OSC2018	18"	23
OSC2020	20"	24
OSC2022	22"	26
OSC2024	24"	28
OSC2026	26"	30
OSC2028	28"	32
OSC2030	30"	35
OSC2032	32"	37
OSC2034	34"	40
OSC2036	36"	44
OSC2038	38"	48
OSC2040	40"	55

35 DEGREE

ITEM NUMBER	CHUTE WIDTH	WEIGHT
OSC3514	14"	20
OSC3516	16"	22
OSC3518	18"	23
OSC3520	20"	24
OSC3522	22"	26
OSC3524	24"	28
OSC3526	26"	30
OSC3528	28"	32
OSC3530	30"	35
OSC3532	32"	37
OSC3534	34"	40
OSC3536	36"	44
OSC3538	38"	48
OSC3540	40"	55

ITEM NUMBER	LENGTH	DESCRIPTION
OS548	48"	Omega Seal
OS572	72"	Omega Seal

EPDM-HIGH HEAT APPLICATION

ITEM NUMBER	LENGTH	DESCRIPTION
OSE548	48"	Omega Seal
OSE572	72"	Omega Seal

OTHER CHUTE WIDTHS AVAILABLE UPON REQUEST.

Note: In many cases the chutes are wider than what CEMA recommends for belt width. Please do not base your choice on belt width. Chute Width is what matters.

CANOE LINERS SPECIALTY CONTAINMENT



Your first and only choice for high impact containment for transfer points...

Unlike some other suppliers, urethane is what we *do*.

American Eagle's liners, whether canoe liners, bumper board, or something more specific to your application, are made from decades of experience...and a proprietary formulation, measuring 80-85A, engineered to be able to take the hit. Impact absorption, abrasion resistance, and quality. With our steel insert advantage, these liners are your first and only choice.



The Advantage of Experience:

American Eagle's canoe liners have a 1/4" steel insert *completely* encapsulated in the urethane. This serves two purposes: First, adjustment just became a lot easier. Never again will you have to deal with the steel-to-steel binding after exposure. But more importantly, because it is encapsulated, the urethane cannot delaminate from the steel insert.

CANOE LINER (STANDARD)



6" SIZE	35° BEVEL	NO BEVEL
1 X 6 X 48	UL6-1048C	UL6-1048A
1-1/2 X 6 X 48	UL6-1548C	UL6-1548A
1 X 6 X 60	UL6-1060C	UL6-1060A
1-1/2 X 6 X 60	UL6-1560C	UL6-1560A

8" SIZE	35° BEVEL	NO BEVEL
1 X 8 X 48	UL8-1048C	UL8-1048A
1-1/2 X 8 X 48	UL8-1548C	UL8-1548A
2 X 8 X 48	UL8-2048C	UL8-2048A
1 X 8 X 60	UL8-1060C	UL8-1060A
1-1/2 X 8 X 60	UL8-1560C	UL8-1560A
2 X 8 X 60	UL8-2060C	UL8-2060A

10" SIZE	35° BEVEL	NO BEVEL
1 X 10 X 48	UL10-1048C	UL10-1048A
1-1/2 X 10 X 48	UL10-1548C	UL10-1548A
2 X 10 X 48	UL10-2048C	UL10-2048A
1 X 10 X 60	UL10-1060C	UL10-1060A
1-1/2 X 10 X 60	UL10-1560C	UL10-1560A
2 X 10 X 60	UL10-2060C	UL10-2060A

CANOE HOOK LINER

9" SIZE	35° BEVEL
1 X 48	UL9-1048-EXT
1 X 60	UL9-1060-EXT



BUMPER BOARD SPECIALTY CONTAINMENT



Bumper board is your solution for lining the inside of your chutes, hoppers and deck screen boxes. Made from high abrasion urethane for extreme impact and dust containment.



ALUMINUM INSERT
Designed to accept 5/8" carriage bolts or T-Bolts



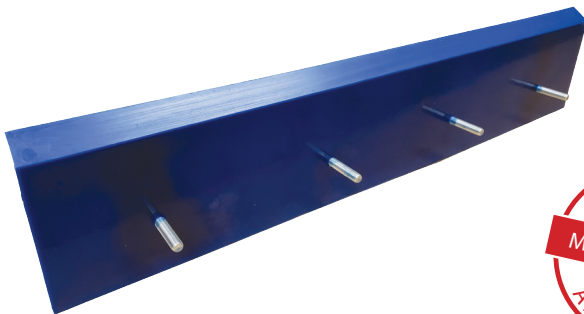
BUMPER BOARD

SIZE	35° BEVEL	NO BEVEL
2 X 6 X 48	BB6-2048C	BB6-2048A
2 X 6 X 60	BB6-2060C	BB6-2060A
2 X 8 X 48	BB8-2048C	BB8-2048A
2 X 8 X 60	BB8-2060C	BB8-2060A
2 X 10 X 48	BB10-2048C	BB10-2048A
2 X 10 X 60	BB10-2060C	BB10-2060A
2 X 12 X 48	BB12-2048C	BB12-2048A
2 X 12 X 60	BB12-2060C	BB12-2060A

*All standard bumper board is 2 inches thick, and the slot center is 2-1/2 inches from the top of the part.

NOTE: These are our standard offerings on canoe liners and bumper boards. Custom lengths and dimensions can be made available upon request. Fill out our worksheet for quote and delivery.

RICHWOOD® REPLACEMENT CANOE LINER



Size	Length	Item Number	Weight
10X1-1/2	48"	UL2-10-1500-48	65
12" X 2-1/2"	48"	UL2-12-2500-48	95

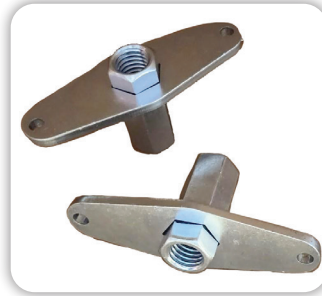
RICHWOOD IS A REGISTERED TRADEMARK OF RICHWOOD INDUSTRIES INC. CORPORATION OF WEST VIRGINIA 707 7TH STREET WEST, HUNTINGTON, WV 25714

AR 400 REPLACEMENT LINERS



ITEM NUMBER	HEIGHT	LENGTH
EARL8-48	8"	48"
EARL8-60	8"	60"
EARL10-48	10"	48"
EARL10-60	10"	60"

EAGLE CLAW CLAMP



Taking our Sealing Edge Technology™ to a new level, our Eagle Claw Clamp will revolutionize your loadzone.

The Eagle Claw Clamp solves the issue. Armed with various steel engaging tips, the clamp bites into the skirtboard like teeth, drawing into the skirtboard on an angle. This creates a complete engaging trap that holds the skirtboard in place at all times, allowing the skirtboard to do what it was designed to do. Because the skirtboard cannot move from the Eagle Claw Clamp, the skirtboard can flex, to accommodate belt splices, clips or patches passing through the load zone.



OVERALL
HEIGHT
6"

ITEM NUMBER	SIZE	DESCRIPTION	WEIGHT
ECC48	48"	Eagle Claw Clamp with Standard Rail Attachment	23
ECC60	60"	Eagle Claw Clamp with Standard Rail Attachment	28

EAGLE CLAW CLAMP & PLATE



OVERALL
HEIGHT
6 1/2"

Plate is designed to shore up load zone outer walls that are inadequate.

Note: Distance between belt and chute wall should be 1" to 2".

ITEM NUMBER	SIZE	DESCRIPTION	WEIGHT
ECCP48	48"	Eagle Claw Clamp with 1/4" Thick Plate	38
ECCP60	60"	Eagle Claw Clamp with 1/4" Thick Plate	47

EAGLE CLAW CLAMP & AR LINER



OVERALL
HEIGHT
8"

AR Liner designed for inside chute walls.

ITEM NUMBER	SIZE	DESCRIPTION	WEIGHT
ECCL48	48"	Eagle Claw Clamp with AR Liner	37
ECCL60	60"	Eagle Claw Clamp with AR Liner	46

EAGLE CLAW CLAMP



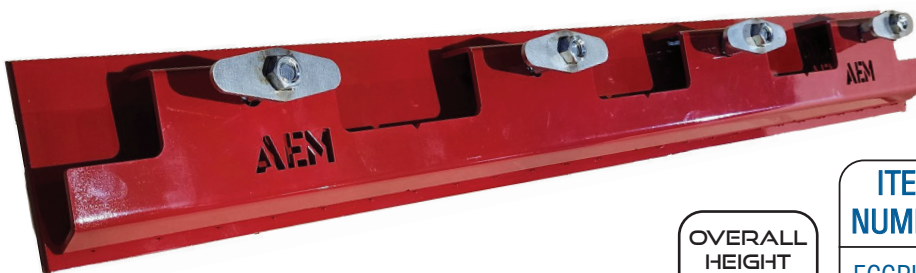
LOW PROFILE EAGLE CLAW CLAMP



OVERALL HEIGHT
4 1/2"

ITEM NUMBER	SIZE	DESCRIPTION	WEIGHT
ECCLP48	48"	Eagle Claw Clamp-Low Profile Standard Rail Attachment 48"	18
ECCLP60	60"	Eagle Claw Clamp-Low Profile Standard Rail Attachment 60"	22

LOW PROFILE EAGLE CLAW CLAMP & PLATE



OVERALL HEIGHT
5 1/2"

Plate is designed to shore up load zone outer walls that are inadequate.

Note: Distance between belt and chute wall should be 1" to 2".

ITEM NUMBER	SIZE	DESCRIPTION	WEIGHT
ECCPLP48	48"	Eagle Claw Clamp-Low Profile with 1/4" Plate - 48"	33
ECCPLP60	60"	Eagle Claw Clamp-Low Profile with 1/4" Plate - 60"	41

LOW PROFILE EAGLE CLAW CLAMP & AR LINER



OVERALL HEIGHT
6"

AR Liner designed for inside chute walls.

ITEM NUMBER	SIZE	DESCRIPTION	WEIGHT
ECCLLP48	48"	Eagle Claw Clamp-48" with AR Liner	48
ECCLLP60	60"	Eagle Claw Clamp-60" with AR Liner	60

LOAD ZONE SUPPORT SYSTEMS

Slider Bed



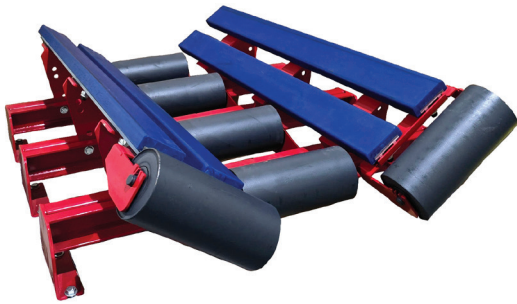
48" bed will accommodate
20, 35, 45 degree troughing rollers

Belt Width	Item Number	Bed Length	Frame QTY.	Bars QTY.
24"	ESLB24-48	48"	3	6
30"	ESLB30-48	48"	3	6
36"	ESLB36-48	48"	3	9
42"	ESLB42-48	48"	3	9
48"	ESLB48-48	48"	3	12
54"	ESLB54-48	48"	3	12
60"	ESLB60-48	48"	3	15
72"	ESLB72-48	48"	3	15

60" bed will accommodate
20, 35, 45 degree troughing rollers

Belt Width	Item Number	Bed Length	Frame QTY.	Bars QTY.
24"	ESLB24-60	60"	3	6
30"	ESLB30-60	60"	3	6
36"	ESLB36-60	60"	3	9
42"	ESLB42-60	60"	3	9
48"	ESLB48-60	60"	3	12
54"	ESLB54-60	60"	3	12
60"	ESLB60-60	60"	3	15
72"	ESLB72-60	60"	3	15

Slide & Roll Bed

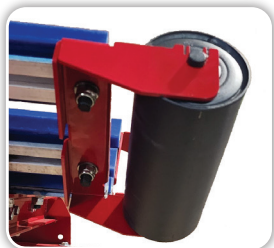


48" bed will accommodate
20, 35, 45 degree troughing rollers

Belt Width	Item Number	Bed Length	Frame QTY.	Bars QTY.
24"	ESRB24-48	48"	3	4
30"	ESRB30-48	48"	3	4
36"	ESRB36-48	48"	3	6
42"	ESRB42-48	48"	3	6
48"	ESRB48-48	48"	3	8
54"	ESRB54-48	48"	3	8
60"	ESRB60-48	48"	3	10
72"	ESRB72-48	48"	3	10

60" bed will accommodate
20, 35, 45 degree troughing rollers

Belt Width	Item Number	Bed Length	Frame QTY.	Bars QTY.
24"	ESRB24-60	60"	3	4
30"	ESRB30-60	60"	3	4
36"	ESRB36-60	60"	3	6
42"	ESRB42-60	60"	3	6
48"	ESRB48-60	60"	3	8
54"	ESRB54-60	60"	3	8
60"	ESRB60-60	60"	3	10
72"	ESRB72-60	60"	3	10



5" Wing Roller & Bracket



Note: Sold in sets of two.

SLIDE AND ROLL BED Replacement Parts

Belt Width	Item Number
24"	ESBWRA5-24
30"	ESBWRA5-30
36"	ESBWRA5-36
42"	ESBWRA5-42
48"	ESBWRA5-48
54"	ESBWRA5-54
60"	ESBWRA5-60
72"	ESBWRA5-72

Slider Bars



SLIDE AND ROLL BED Replacement Parts

Bar Length	Item Number
42"	ESB125-42
48"	ESB125-48
54"	ESB125-54
60"	ESB125-60

LOAD ZONE SUPPORT SYSTEMS

Medium Duty Impact Bed



48" bed will accommodate
20, 35, 45 degree troughing rollers

Belt Width	Item Number	Bed Length	Frame QTY.	Bars QTY.
24"	EIBM24-48	48"	3	6
30"	EIBM30-48	48"	3	6
36"	EIBM36-48	48"	3	9
42"	EIBM42-48	48"	3	9
48"	EIBM48-48	48"	3	12
54"	EIBM54-48	48"	3	12
60"	EIBM60-48	48"	3	15
72"	EIBM72-48	48"	3	15

60" bed will accommodate
20, 35, 45 degree troughing rollers

Belt Width	Item Number	Bed Length	Frame QTY.	Bars QTY.
24"	EIBM24-60	60"	3	6
30"	EIBM30-60	60"	3	6
36"	EIBM36-60	60"	3	9
42"	EIBM42-60	60"	3	9
48"	EIBM48-60	60"	3	12
54"	EIBM54-60	60"	3	12
60"	EIBM60-60	60"	3	15
72"	EIBM72-60	60"	3	15

Standard Duty Impact & Roll Bed



48" bed will accommodate
20, 35, 45 degree troughing rollers

Belt Width	Item Number	Bed Length	Frame QTY.	Bars QTY.
24"	EIRB24-48	48"	3	4
30"	EIRB30-48	48"	3	4
36"	EIRB36-48	48"	3	6
42"	EIRB42-48	48"	3	6
48"	EIRB48-48	48"	3	8
54"	EIRB54-48	48"	3	8
60"	EIRB60-48	48"	3	10
72"	EIRB72-48	48"	3	10

60" bed will accommodate
20, 35, 45 degree troughing rollers

Belt Width	Item Number	Bed Length	Frame QTY.	Bars QTY.
24"	EIRB24-60	60"	3	4
30"	EIRB30-60	60"	3	4
36"	EIRB36-60	60"	3	6
42"	EIRB42-60	60"	3	6
48"	EIRB48-60	60"	3	8
54"	EIRB54-60	60"	3	8
60"	EIRB60-60	60"	3	10
72"	EIRB72-60	60"	3	10



6" Wing Roller & Bracket



Note: Sold in sets of two.

IMPACT BED Replacement Parts

Belt Width	Item Number
24"	EIBWRA6-24
30"	EIBWRA6-30
36"	EIBWRA6-36
42"	EIBWRA6-42
48"	EIBWRA6-48
54"	EIBWRA6-54
60"	EIBWRA6-60
72"	EIBWRA6-72

Impact Bars



IMPACT BED Replacement Parts

Bar Length	Item Number
42"	EIBR-42
48"	EIBR-48
54"	EIBR-54
60"	EIBR-60

LOAD ZONE SUPPORT SYSTEMS

Heavy Duty Impact Bed



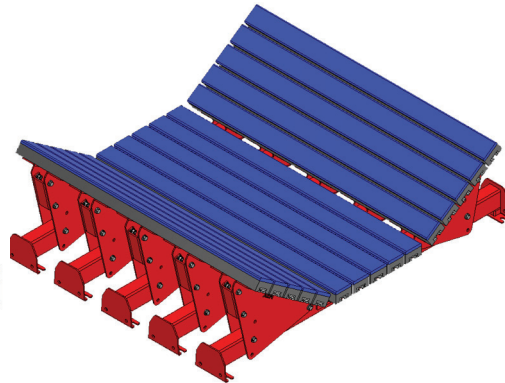
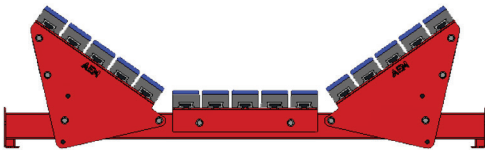
48" bed will accommodate
20, 35, 45 degree troughing rollers

Belt Width	Item Number	Bed Length	Frame QTY.	Bars QTY.
24"	EIBH24-48	48"	4	6
30"	EIBH30-48	48"	4	6
36"	EIBH36-48	48"	4	9
42"	EIBH42-48	48"	4	9
48"	EIBH48-48	48"	4	12
54"	EIBH54-48	48"	4	12
60"	EIBH60-48	48"	4	15
72"	EIBH72-48	48"	4	15

60" bed will accommodate
20, 35, 45 degree troughing rollers

Belt Width	Item Number	Bed Length	Frame QTY.	Bars QTY.
24"	EIBH24-60	60"	4	6
30"	EIBH30-60	60"	4	6
36"	EIBH36-60	60"	4	9
42"	EIBH42-60	60"	4	9
48"	EIBH48-60	60"	4	12
54"	EIBH54-60	60"	4	12
60"	EIBH60-60	60"	4	15
72"	EIBH72-60	60"	4	15

Extra Heavy Duty Impact Bed



60" bed will accommodate
20, 35, 45 degree troughing rollers

Belt Width	Item Number	Bed Length	Frame QTY.	Bars QTY.
24"	EIBXH24-60	60"	5	6
30"	EIBXH30-60	60"	5	6
36"	EIBXH36-60	60"	5	9
42"	EIBXH42-60	60"	5	9
48"	EIBXH48-60	60"	5	12
54"	EIBXH54-60	60"	5	12
60"	EIBXH60-60	60"	5	15
72"	EIBXH72-60	60"	5	15



6" Wing Roller & Bracket



Note: Sold in sets of two.

IMPACT BED Replacement Parts

Belt Width	Item Number
24"	EIBWRA6-24
30"	EIBWRA6-30
36"	EIBWRA6-36
42"	EIBWRA6-42
48"	EIBWRA6-48
54"	EIBWRA6-54
60"	EIBWRA6-60
72"	EIBWRA6-72

Impact Bars



IMPACT BED Replacement Parts

Bar Length	Item Number
42"	EIBR-42
48"	EIBR-48
54"	EIBR-54
60"	EIBR-60

LOAD ZONE COMPLETE SYSTEMS

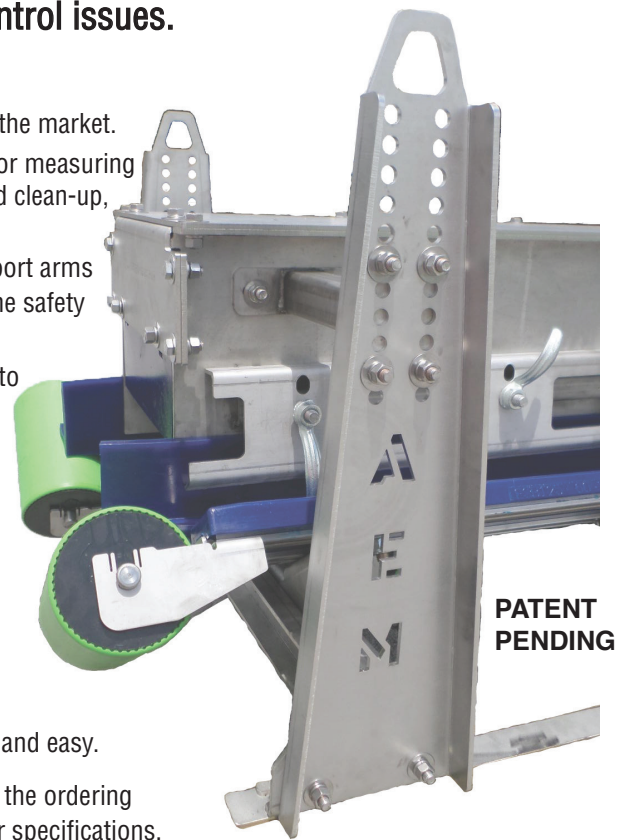


Introducing American Eagle's Complete Load Zone System: A cutting-edge single solution to your environmental, safety, and dust control issues.

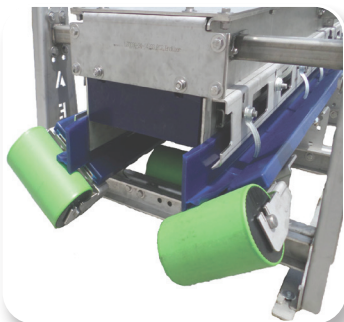
Advantages:

- This is the ONLY drop-in load support and chute combination on the market.
- Fully assembled at our location to avoid any guesswork, cutting, or measuring in the field, eliminating the environmental impact of both waste and clean-up, and drastically reducing installation time.
- Complete systems are now equipped with our new, versatile support arms that will adapt to any chute gaps during install, also eliminating the safety issues related to having to cut and weld your conveyor structure.
- The Eagle Claw Clamp and Omega seal products are integrated into the modular chute walls to ensure a complete sealing of your load zone system.
- Used with American Eagle's Sealing Edge Technology, dust and refuse materials will be dramatically decreased.
- New lead-in Wing Roller Assemblies virtually eliminate the problem of drag on the support bed itself.
- Including the Dust Control Baffles to create individual chambers within our system has allowed for the containment and reduction of dust particles.
- All of the components are standard, so replacement will be quick and easy.

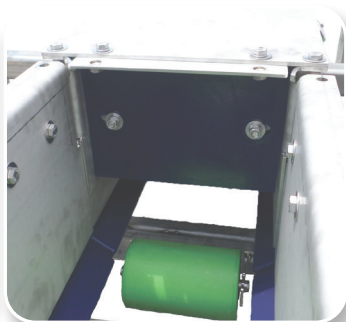
For your convenience, we have developed a worksheet that will simplify the ordering process and make sure you're getting exactly what you need. With your specifications, we can efficiently and accurately give you a price and lead time for your project, complete with 3D modeling.



**FRONT CHUTE
WITH WING ROLLERS**



**DUST CONTROL
BAFFLE**



**EAGLE CLAW
CLAMPS**

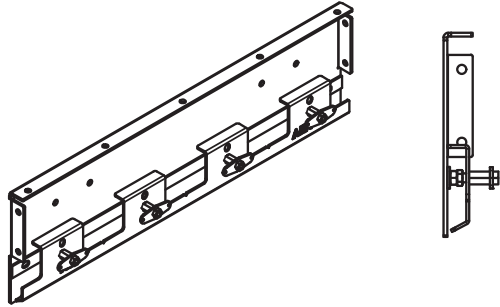


**OMEGA SEAL CLAMP
WITH WING ROLLERS**



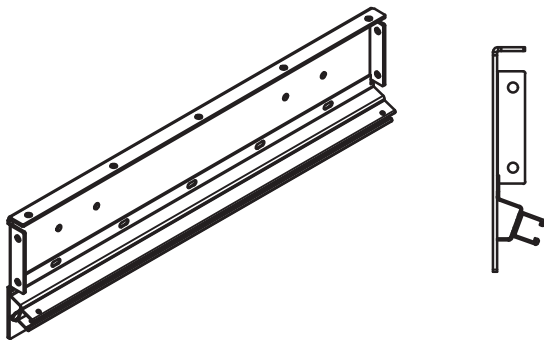
CHUTE WALLS

1/4" Steel Chute Wall with Eagle Claw Clamp



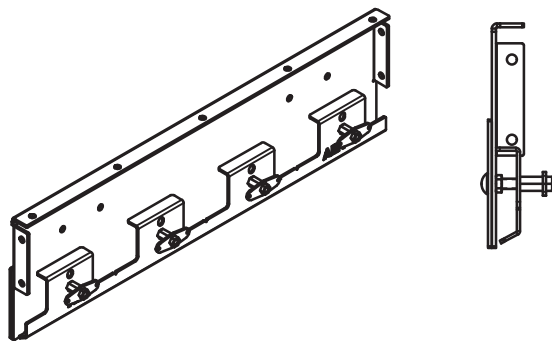
ITEM NUMBER	HEIGHT	LENGTH
CW1048ECC	10"	48"
CW1060ECC	10"	60"
CW1248ECC	12"	48"
CW1260ECC	12"	60"
CW1448ECC	14"	48"
CW1460ECC	14"	60"

1/4" Steel Chute Wall with Snap-Flex Mounting Rail



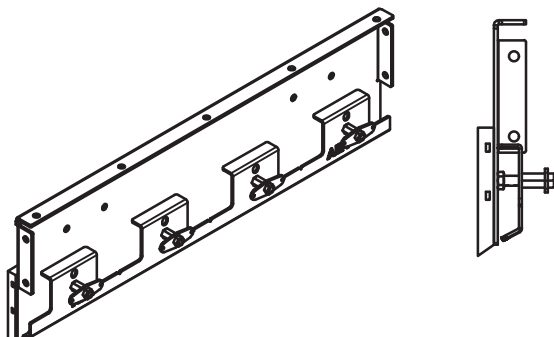
ITEM NUMBER	HEIGHT	LENGTH
CW1048ESFC20-02	10"	48"
CW1060ESFC20-02	10"	60"
CW1248ESFC20-02	12"	48"
CW1260ESFC20-02	12"	60"
CW1448ESFC20-02	14"	48"
CW1460ESFC20-02	14"	60"

1/4" Steel Chute Wall with Eagle Claw Clamp with AR 400 Liner



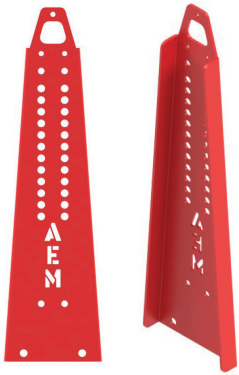
ITEM NUMBER	HEIGHT	LENGTH
CW1048ECCL	10"	48"
CW1060ECCL	10"	60"
CW1248ECCL	12"	48"
CW1260ECCL	12"	60"
CW1448ECCL	14"	48"
CW1460ECCL	14"	60"

1/4" Steel Chute Wall with Eagle Claw Clamp and Urethane Canoe Liner



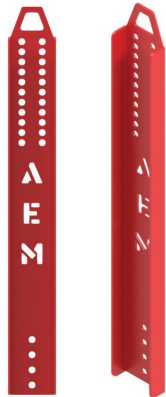
ITEM NUMBER	HEIGHT	LENGTH
CW1048ECCU	10"	48"
CW1060ECCU	10"	60"
CW1248ECCU	12"	48"
CW1260ECCU	12"	60"
CW1448ECCU	14"	48"
CW1460ECCU	14"	60"

UNIVERSAL POST & ADJUSTABLE SUPPORT ARMS



Designed to work with
AEM Belt
Support Systems

EAGLE UNIVERSAL POST	
Item Number	
EUP001	

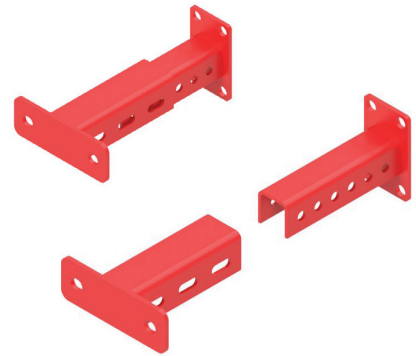


Designed to work with
existing Belt
Support Systems

EAGLE UNIVERSAL POST	
Item Number	
EUP002	



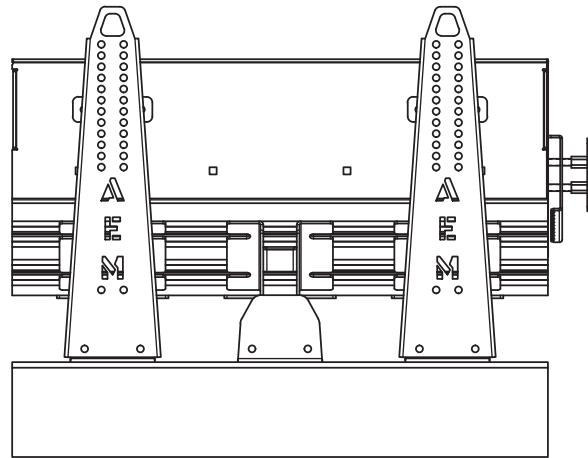
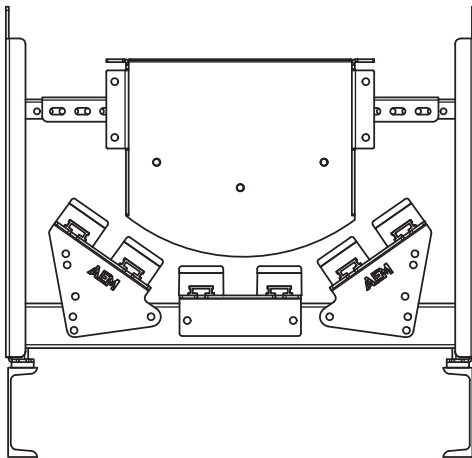
Universal Post and
Support Arms
sold separately



ADJUSTABLE SUPPORT ARMS	
Item Number	Adjustment Capability
EASA-001	7" to 10"
EASA-002	10" to 13"

Custom sizes available upon request

Modular Load Zone Project RFQ



OAL: _____

BELT WIDTH: _____

CHUTE WIDTH: _____

FRAME WIDTH: _____

WALL HEIGHT: _____

SKIRT STYLE: _____

SUPPORT BEDS? Y or N - IF YES, WHAT TYPE: _____

LIDS? Y or N

TAIL SEAL? Y or N

IT'S THE YEAR OF
INNOVATION
AT AMERICAN EAGLE
MANUFACTURING

DELTA  FLEX™ M-Flex®

EAGLE CLAW CLAMP

BLUE-FLEX.  **AG FLEX.**

OMEGA SEAL

SNAPFLEX

American Eagle Manufacturing LLC
866 713 8985
252 633 0603
3280 US Hwy. 70 East
New Bern, North Carolina 28560
AmericanEagleManufacturing.com

EAGLE EDGE USA

