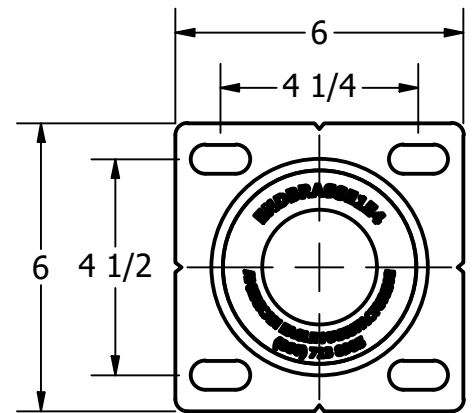
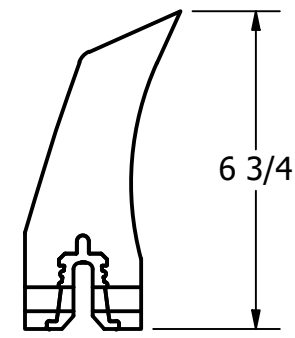
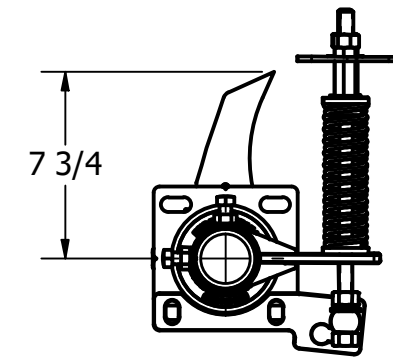
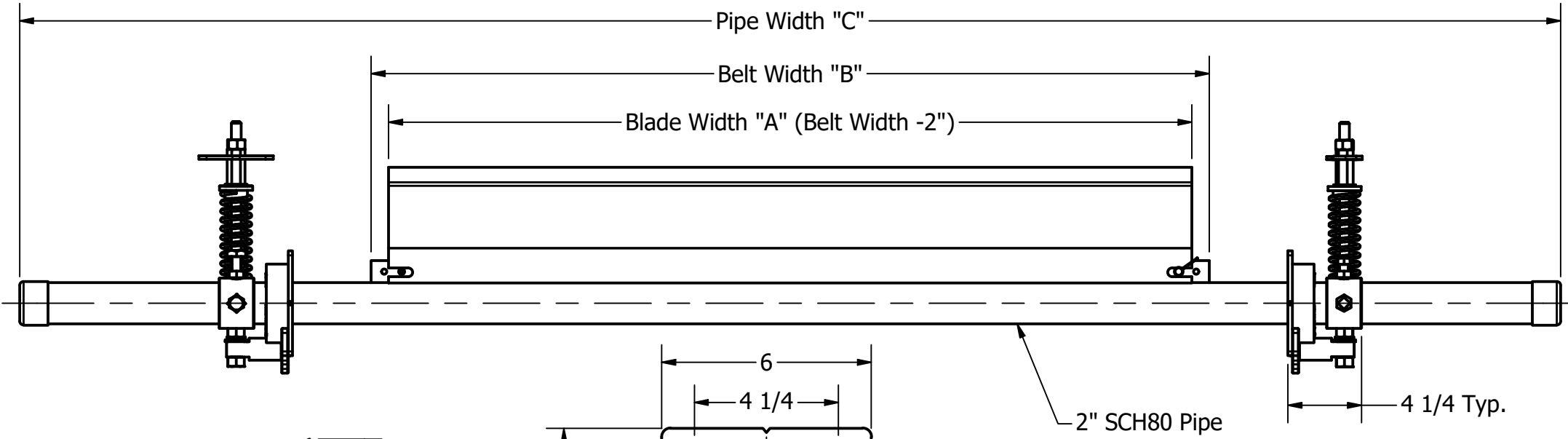
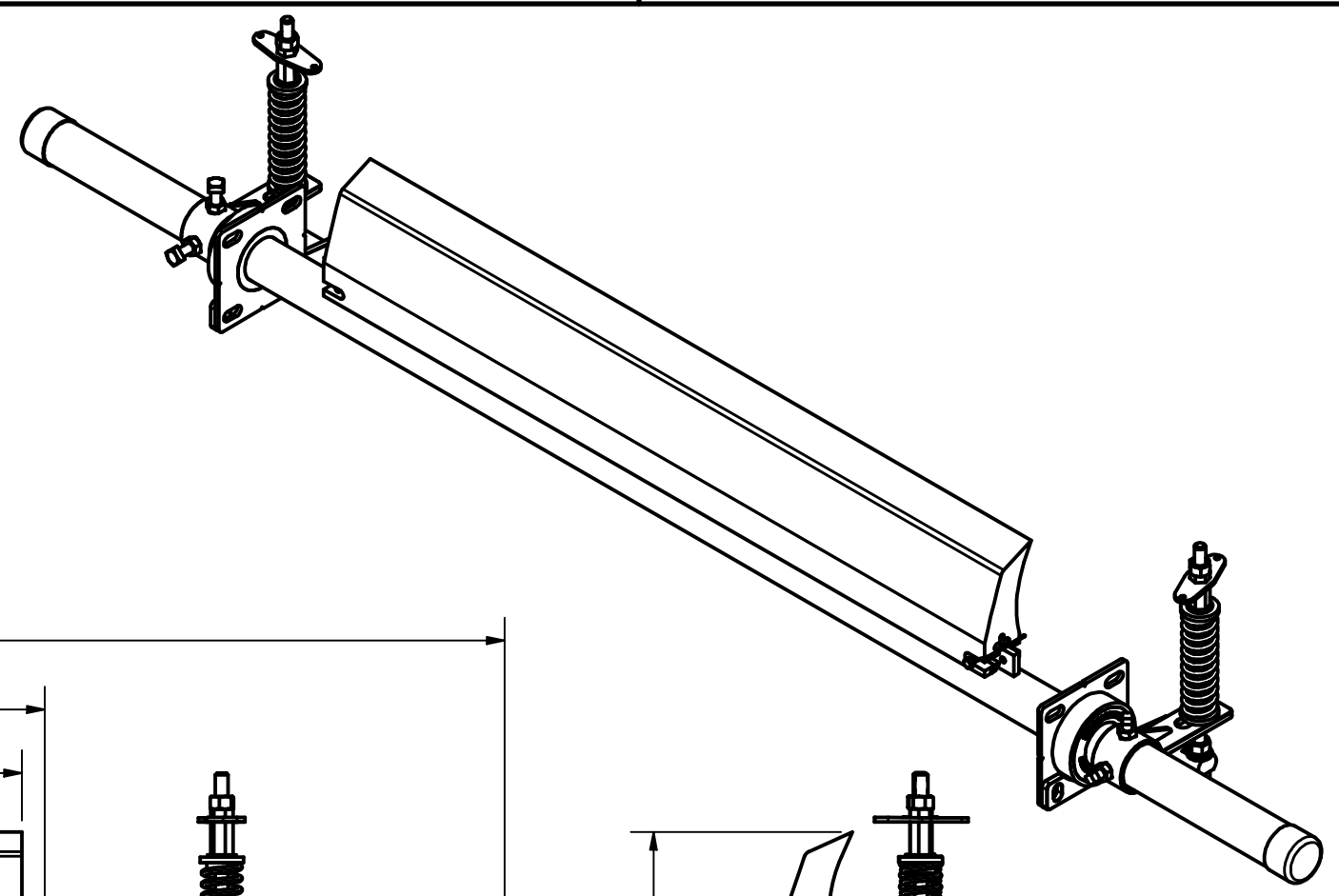


CLEANER SPECIFICATIONS				BLADE SELECTION CHART			
Part No.	Blade Width "A"	Belt Width "B"	Pipe Width "C"	MATL.	P/N SUFFIX	COLOR	DUROMETER
E1SDCDx24	22"	24"	64"	Ev-R-Wear	M	Blue	85A
E1SDCDx30	28"	30"	70"	Standard	U	Orange	85A
E1SDCDx36	34"	36"	76"	Chemical	C	Green	80A
E1SDCDx42	40"	42"	82"	High Heat	H	Red	95A
E1SDCDx48	46"	48"	88"	Food Grade	W	White	85A
E1SDCDx54	52"	54"	94"				
E1SDCDx60	58"	60"	100"				
E1SDCDx72	70"	72"	112"				



Mounting Bracket Dimensions

E1x Blade Profile
See BLADE SELECTION CHART for blade characteristics

This drawing in design and detail is the property of American Eagle Manufacturing, LLC. It is returnable upon request and must not be reproduced or the information contained transmitted to any unauthorized person or organization without written consent from American Eagle Manufacturing, LLC. It is to be used only in connection with our work as authorized by us. All rights of design and invention are reserved.

American Eagle Manufacturing, LLC
3280 U.S. Highway 70 East
New Bern, NC 28560
Ph: 252-633-0603
Fax: 252-633-5487
www.americaneaglemanufacturing.com

TITLE E1 Standard Duty Dual Tensioner Primary Cleaner			
SIZE B	DWG NO E1SDCDxENG	REV	
SCALE 1 / 8	SHEET 1 OF 1		

DRAWN JLangley	10/3/2024
APPROVED	