

E4SD MINE DUTY

PRIMARY BELT CLEANER



The E4SD Primary Cleaner Series was created as an ideal option for affordable, easy-to-maintain carryback elimination.

Ev-R-Wear™

Proprietary urethane blend to increase abrasion-resistance and lubricity.

Available in -2 & -8 widths as standard others available upon request.

BLADE HEIGHT **7-1/4"**

Sturdy aluminum extrusion lends itself to simple blade replacement.



2-3/8" OD Mounting Pipe

Powder-coated as standard or available in stainless steel

EAGLE COMPRESSION SYSTEM

- Compact
- Stainless Assembly to Extend Life
- Self-Adjusting
- Features propeller nut to simplify tensioning in the field

Gap Gage Installation Tool



Dual Tensioners required on belt widths over 48"

FEATURES & BENEFITS

- Urethane blend used for **Ev-R-Wear™** blades received test results of ZERO in both flame and afterglow times, earning its MSHA approval for mine-use.
- Works with all splice types without damage to the belt.
- Fits most conveyor systems because of its availability for belt widths ranging 24" to 72"
- No tools required for blade replacement
- Tensioning system is constructed of stainless steel and urethane - most dependable, long-lasting materials available
- Gap gage included with every cleaner for easy install
 - Ensures proper gap between mounting pipe & belt
 - Ensures consistency of gap for entire length of mounting pipe to guarantee proper engagement

www.americaneaglemanufacturing.com

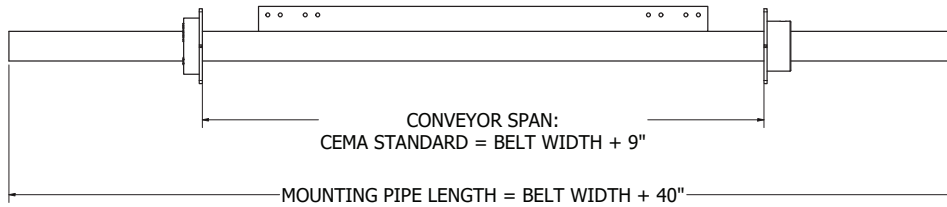
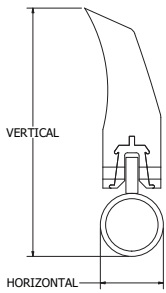
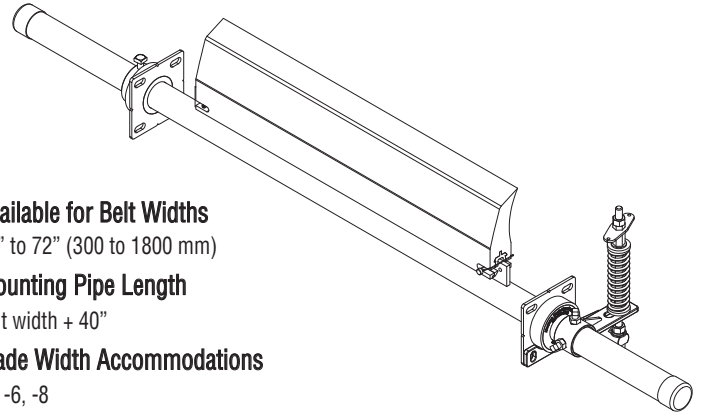
866-713-8985

E4SD MINE DUTY

Primary Belt Cleaner

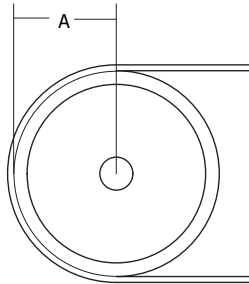
Specifications and Guidelines

- **Maximum Belt Speed**
1200 FPM (5 M/sec)
- **Temperature Rating**
-30°F to 217°F (-35°C to 100°C)
- **Minimum Pulley Diameter**
24" (600 mm)
- **Tensioner Type**
Eagle Compression System
- **Blade Material**
Ev-R-Wear™
85 Durometer Polyurethane
- **Blade Height**
7-1/4" (185 mm)
- **Horizontal Clearance Requirement**
4" (100 mm)
- **Vertical Clearance Requirement**
9-1/2" (238 mm)
- **Available for Belt Widths**
24" to 72" (300 to 1800 mm)
- **Mounting Pipe Length**
Belt width + 40"
- **Blade Width Accommodations**
-2, -6, -8



Determining Mounting Pipe Arc

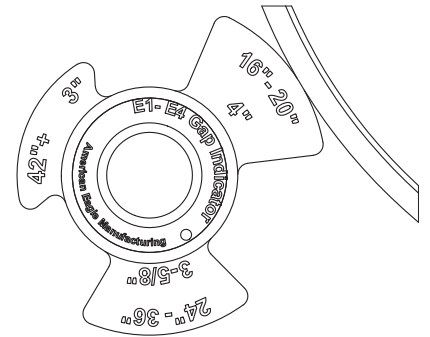
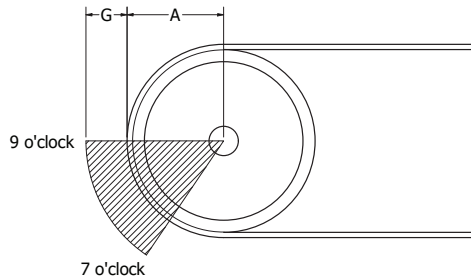
$$A \times 2 = \text{[]}$$



Gap Dimension Chart	
PULLEY DIAMETER	GAP
16" - 20"	4"
24" - 36"	3-5/8"
42" +	3"
TOLERANCES + OR - 1/4"	

Your Gap Dimension

$G + A = \text{[]}$ This is your arc dimension on chutewall for mounting bracket



Ordering Information

Belt Width	-2 Blade Width	Part Number
24"	22"	E4SDCSM24
30"	28"	E4SDCSM30
36"	34"	E4SDCSM36
42"	40"	E4SDCSM42
48"	46"	E4SDCDM48
54"	52"	E4SDCDM54
60"	58"	E4SDCDM60
72"	70"	E4SDCDM72

Replacement Blade
E4M22
E4M28
E4M34
E4M40
E4M46
E4M52
E4M58
E4M70

Belt Width	-8 Blade Width	Part Number
24"	16"	E4SDCSM24-8
30"	22"	E4SDCSM30-8
36"	28"	E4SDCSM36-8
42"	34"	E4SDCSM42-8
48"	40"	E4SDCDM48-8
54"	46"	E4SDCDM54-8
60"	52"	E4SDCDM60-8
72"	64"	E4SDCDM72-8

Replacement Blade
E4M16
E4M22
E4M28
E4M34
E4M40
E4M46
E4M52
E4M64



www.americaneaglemanufacturing.com

866-713-8985 fax (252) 633-5487

