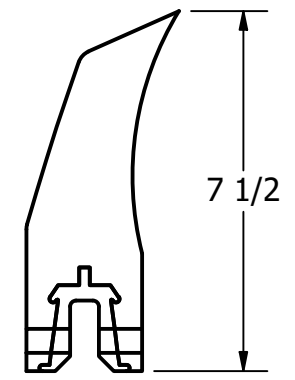
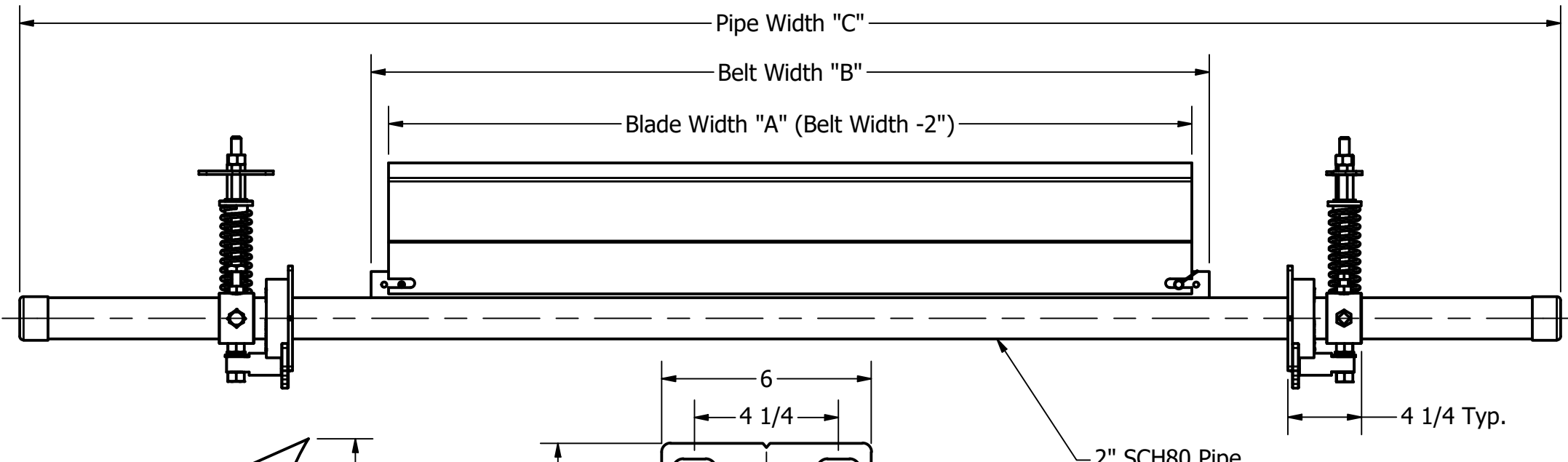
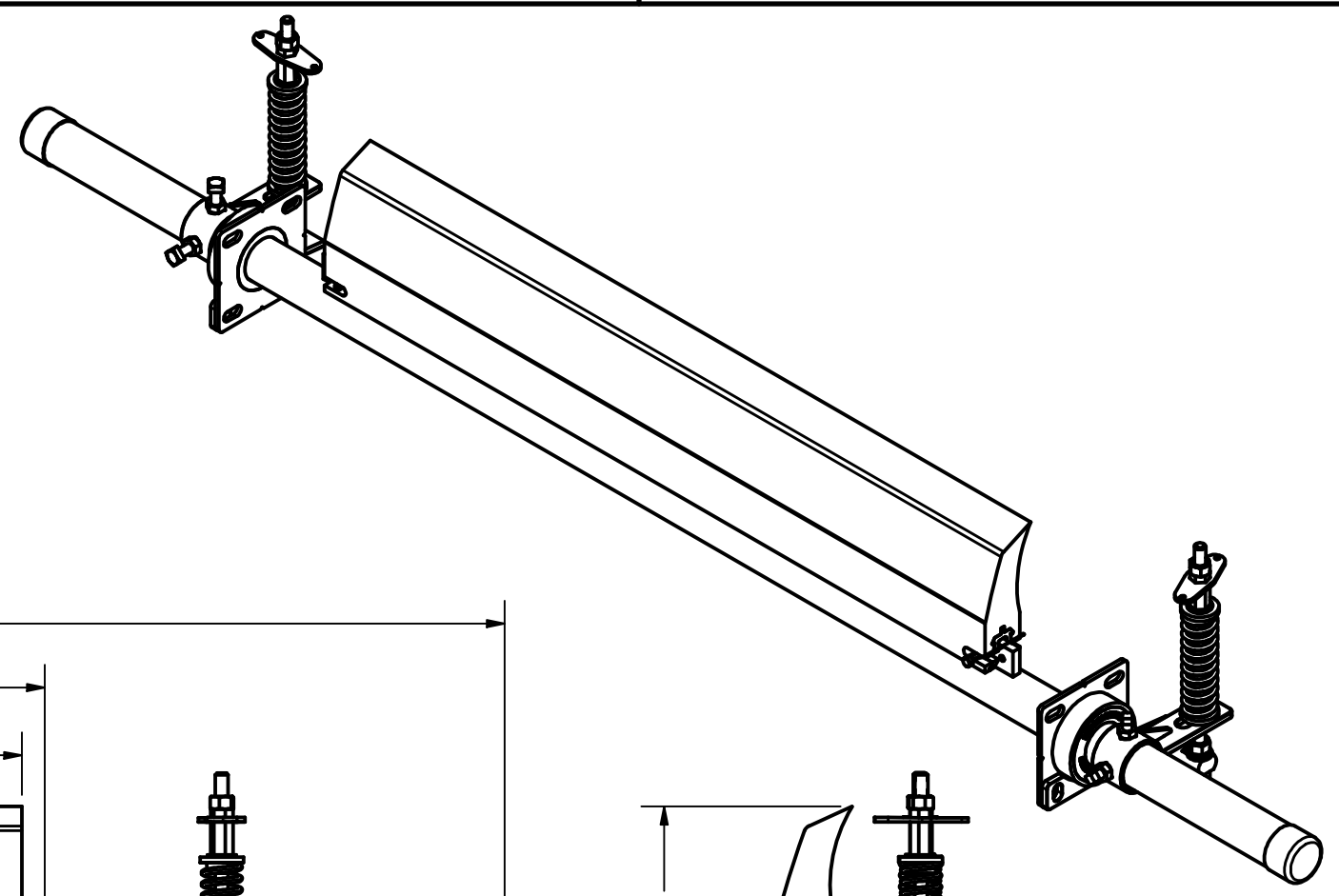
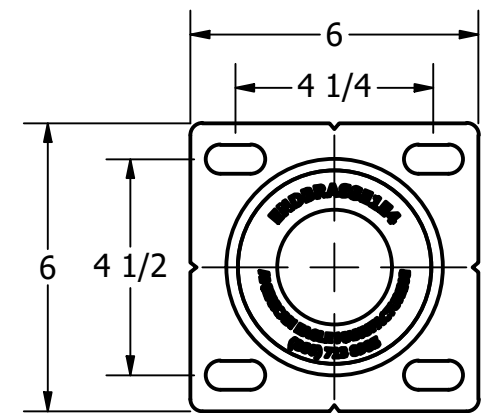


CLEANER SPECIFICATIONS				BLADE SELECTION CHART			
Part No.	Blade Width "A"	Belt Width "B"	Pipe Width "C"	MATL.	P/N SUFFIX	COLOR	DUROMETER
E4SDCDx24	22"	24"	64"	Ev-R-Wear	M	Blue	85A
E4SDCDx30	28"	30"	70"	Standard	U	Orange	85A
E4SDCDx36	34"	36"	76"	Chemical	C	Green	80A
E4SDCDx42	40"	42"	82"	High Heat	H	Red	95A
E4SDCDx48	46"	48"	88"	Food Grade	W	White	85A
E4SDCDx54	52"	54"	94"				
E4SDCDx60	58"	60"	100"				
E4SDCDx72	70"	72"	112"				



E4x Blade Profile
See BLADE SELECTION CHART for blade characteristics



Mounting Bracket Dimensions

This drawing in design and detail is the property of American Eagle Manufacturing, LLC. It is returnable upon request and must not be reproduced or the information contained transmitted to any unauthorized person or organization without written consent from American Eagle Manufacturing, LLC. It is to be used only in connection with our work as authorized by us. All rights of design and invention are reserved.

DRAWN
JLangley
APPROVED

10/3/2024



American Eagle Manufacturing, LLC
3280 U.S. Highway 70 East
New Bern, NC 28560
Ph: 252-633-0603
Fax: 252-633-5487
www.americaneaglemanufacturing.com

TITLE E4 Standard Duty Dual Tensioner Primary Cleaner			
SIZE B	DWG NO E4SDCDxENG	REV	
SCALE 1 / 8	SHEET 1 OF 1		