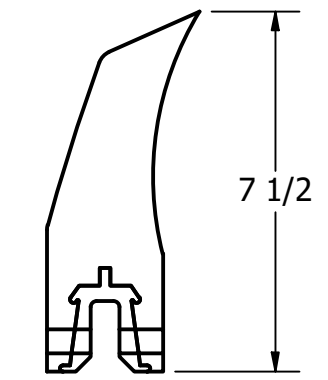


CLEANER SPECIFICATIONS

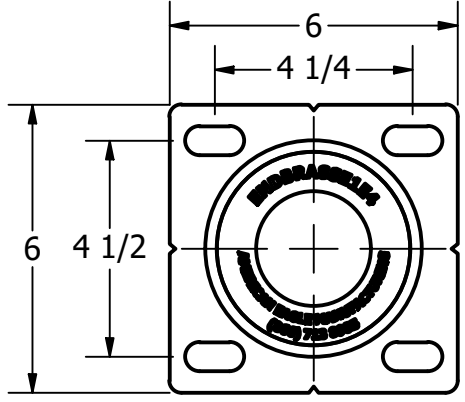
BLADE SELECTION CHART

Part No.	Blade Width "A"	Belt Width "B"	Pipe Width "C"
E4SDCSx24	22"	24"	64"
E4SDCSx30	28"	30"	70"
E4HDCSx36	34"	36"	76"
E4HDCSx42	40"	42"	82"
E4SDCSx48	46"	48"	88"
E4SDCSx54	52"	54"	94"
E4SDCSx60	58"	60"	100"
E4SDCSx72	70"	72"	112"

MATL.	P/N SUFFIX	COLOR	DUROMETER
Ev-R-Wear	M	Blue	85A
Standard	U	Orange	85A
Chemical	C	Green	80A
High Heat	H	Red	95A
Food Grade	W	White	85A



E4x Blade Profile
See BLADE SELECTION CHART for blade characteristics



Mounting Bracket Dimensions

This drawing in design and detail is the property of American Eagle Manufacturing, LLC. It is returnable upon request and must not be reproduced or the information contained transmitted to any unauthorized person or organization without written consent from American Eagle Manufacturing, LLC. It is to be used only in connection with our work as authorized by us. All rights of design and invention are reserved.

DRAWN JLangley	10/3/2024
APPROVED	



American Eagle Manufacturing, LLC
3280 U.S. Highway 70 East
New Bern, NC 28560
Ph: 252-633-0603
Fax: 252-633-5487
www.americaneaglemanufacturing.com

TITLE E4 Standard Duty Single Tensioner Primary Cleaner			
SIZE B	DWG NO E4SDCSxENG	REV	
SCALE 1 / 7	SHEET 1 OF 1		