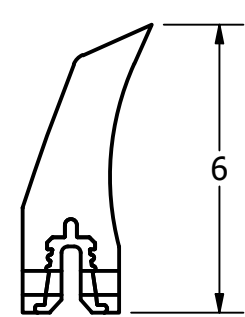
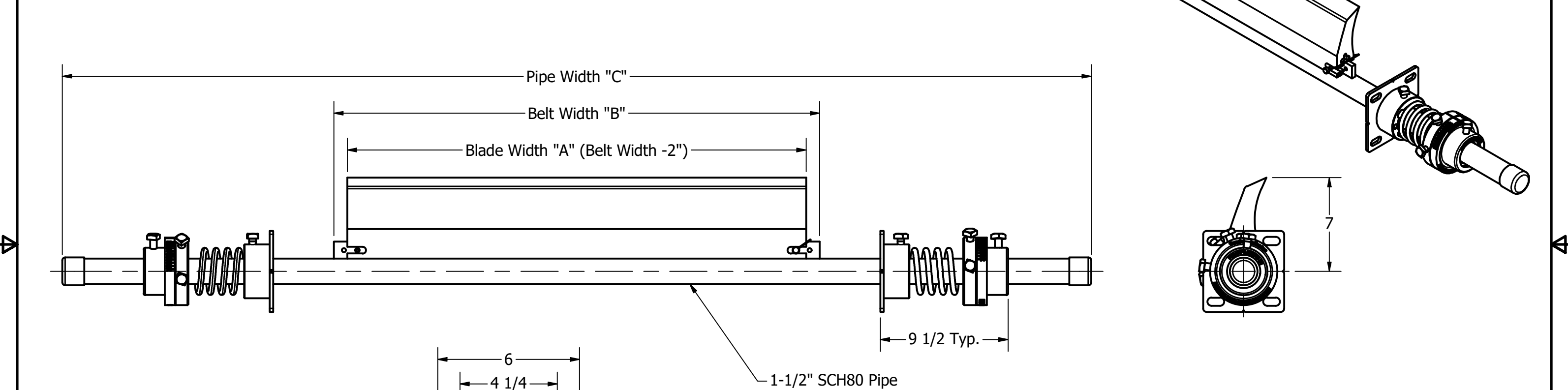
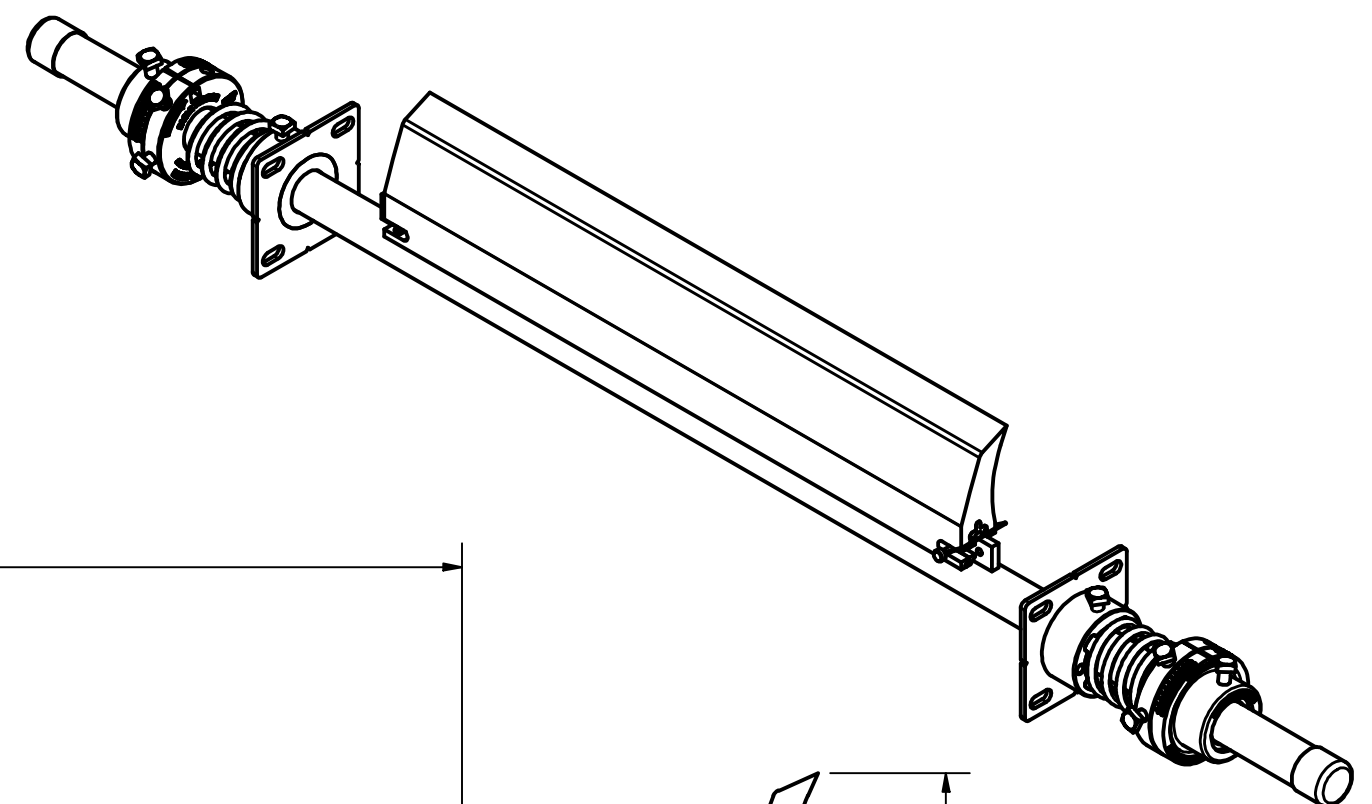
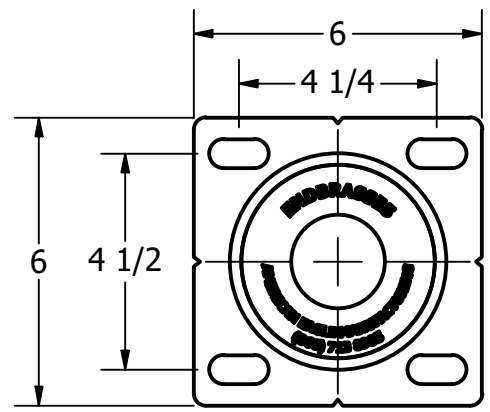


CLEANER SPECIFICATIONS				BLADE SELECTION CHART			
Part No.	Blade Width "A"	Belt Width "B"	Pipe Width "C"	MATL.	P/N SUFFIX	COLOR	DUROMETER
E5HPCDx24	22"	24"	64"	Ev-R-Wear	M	Blue	85A
E5HPCDx30	28"	30"	70"	Standard	U	Orange	85A
E5HPCDx36	34"	36"	76"	Chemical	C	Green	80A
E5HPCDx42	40"	42"	82"	High Heat	H	Red	95A
E5HPCDx48	46"	48"	88"	Food Grade	W	White	85A
E5HPCDx54	52"	54"	94"				
E5HPCDx60	58"	60"	100"				
E5HPCDx72	70"	72"	112"				



**E5x Blade Profile**

See BLADE SELECTION CHART for blade characteristics



**Mounting Bracket Dimensions**

This drawing in design and detail is the property of American Eagle Manufacturing, LLC. It is returnable upon request and must not be reproduced or the information contained transmitted to any unauthorized person or organization without written consent from American Eagle Manufacturing, LLC. It is to be used only in connection with our work as authorized by us. All rights of design and invention are reserved.

DRAWN JLangley	10/2/2024
APPROVED	



American Eagle Manufacturing, LLC  
 3280 U.S. Highway 70 East  
 New Bern, NC 28560  
 Ph: 252-633-0603  
 Fax: 252-633-5487  
[www.americaneaglemanufacturing.com](http://www.americaneaglemanufacturing.com)

TITLE E5 High Performance Dual Tensioner Primary Cleaner			
SIZE B	DWG NO E5HPCDxENG	REV	
SCALE 1 / 7	SHEET 1 OF 1		